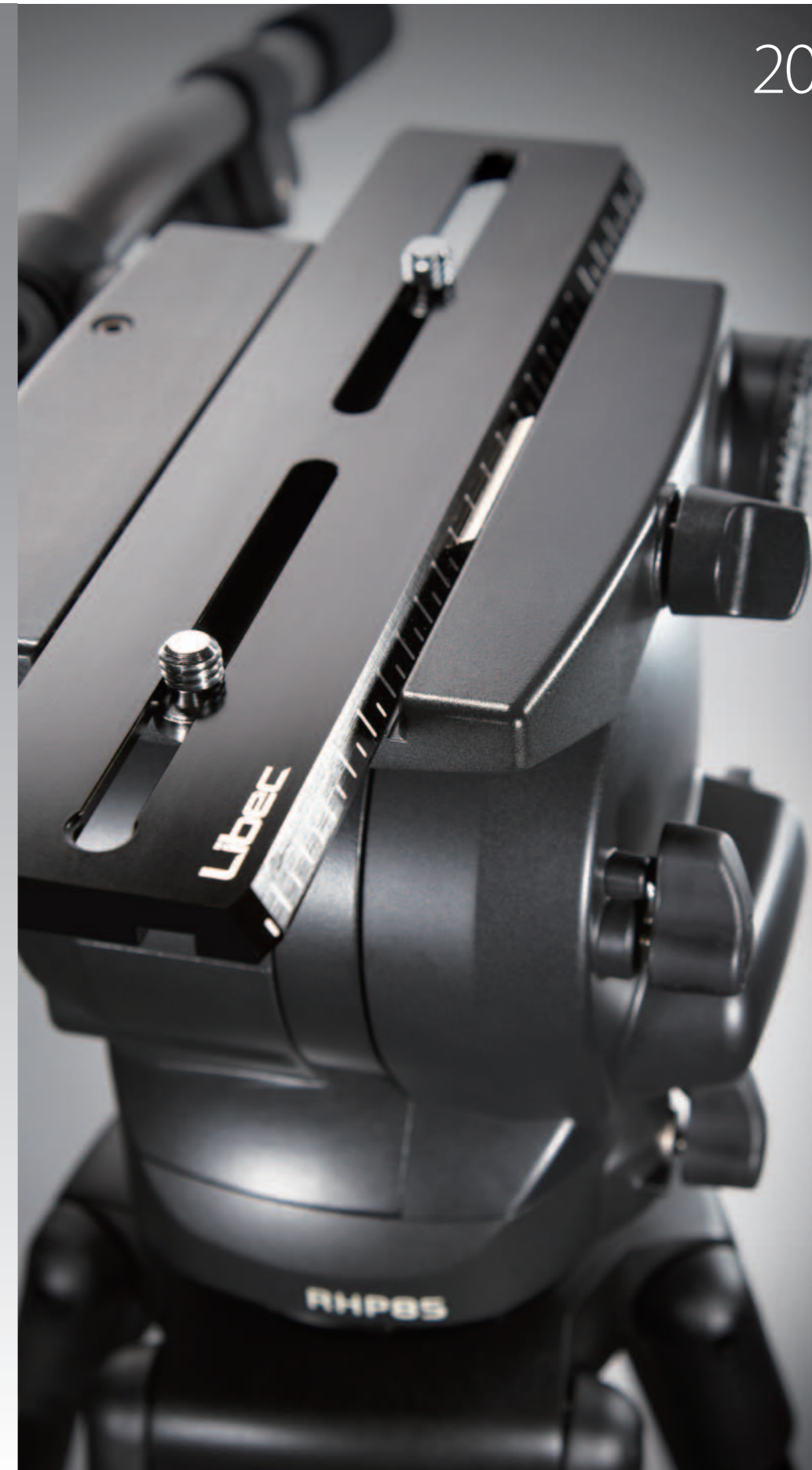


2013/14

CAMERA SUPPORT EQUIPMENT



Libec

HEIWA SEIKI KOGYO CO.,LTD. - Headquarters

978-1 Nishibukuro, Yashio-City, Saitama, 340-0833 Japan
TEL: +81(0) 48 995 1301
FAX: +81(0) 48 997 0804

www.libec-global.com

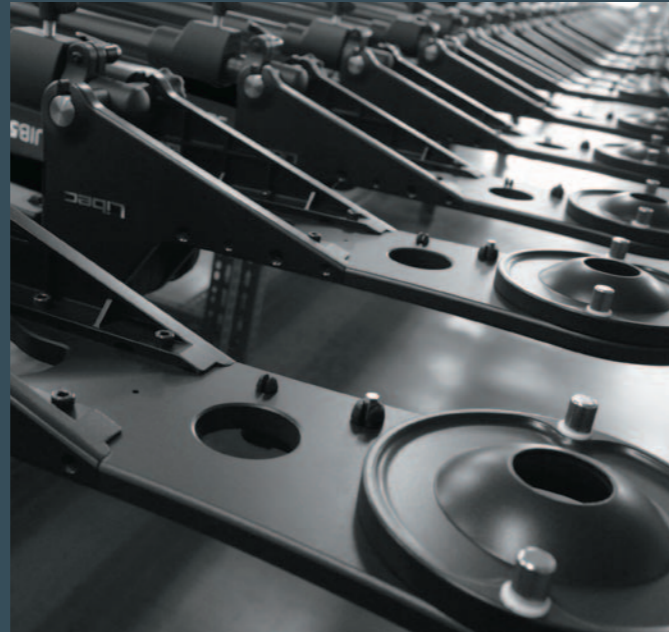
Libec Sales of America, Inc - U.S. Sales office

377 Van Ness Av., Suite 1201 Torrance, CA 90501 USA
TEL: +1 310 787 9400
FAX: +1 310 787 9422

www.libecsales.com

Libec will continue to be an approachable and user-friendly brand for all film makers

Libec is a global brand from Japan that offers effective camera support equipment that quickly responds to technological advances and the changing image industry. Our main lineup of Libec series has been tripods and heads for professional video cameras. Currently, its main lineup also includes pedestals, jib arms, electronically-controlled remote heads and remote controls. Libec's products are sold in over 60 countries, and has achieved a high repute worldwide. To satisfy customer's requirements and changing needs, new products are constantly created by working on a wide range of development themes such as product design, materials research and weight saving solutions as well as functionality, operability and durability. Libec has also been showing consistent growth in recent years. In 2006, Libec Sales of America Inc., a wholly owned sales subsidiary, was founded in Los Angeles, USA to enhance sales and marketing business. Subsequently, in 2007, Libec Technology Taiwan Co., Ltd., a wholly owned manufacturing subsidiary, was founded in Taiwan to increase the manufacturing capacity outside of the headquarter in Japan.



CONTENTS

3	Heads & Tripod Systems	42	Tracking Rails
4	Counterbalance	44	Remote Controls
5	RSPLUS	48	Tripods & Cases
13	RS	49	Tripods
21	LX	52	Tripod cases
25	DV	54	Accessories
27	Pedestal Systems	59	Specifications
32	Jib, Remote Head & Tracking Rails		
33	SWIFT JIB		
36	REMOTE HEAD		
41	Control Unit		

Heads & Tripod Systems



- RHP85
- RSP-850
- RSP-850M
- RHP75
- RSP-750
- RSP-750M
- RSP-750C
- RSP-750MC
- RH45R
- RS-450R
- RS-450RM
- RH35R
- RS-350R
- RS-350RM
- RH25R
- RS-250R
- RS-250RM
- LX10
- LX10 M
- LX10 Studio
- LX7
- LX7 M
- LX5
- LX5 M
- TH-950DV
- TH-650DV

Counterbalance

Importance of counterbalance

When looking for a suitable tripod head for your camera, one of the most important aspects to consider is counterbalancing capability. The counterbalancing function provides a counterforce to keep the balance between the tripod head and the camera that is mounted on it. If the right counterbalance is maintained, the camera remains stationary at any angle of tilt. You do not need to worry about holding the camera by hand and yet are able to maintain precise control of the camera.

RS/RSPLUS counterbalancing capability

The RS/RSPLUS is equipped with an excellent counterbalancing system that provides a perfect counterforce that corresponds to the weight and angle of the camera. A special innerspring mechanism is used for this system. When the strength of a spring is insufficient, the head cannot bear the weight of the camera. If a spring is too strong, the camera will tilt upward. The RS/RSPLUS "variable counterbalance system" enables users to adjust the strength of the innerspring within a certain range using the counterbalance knob located on the outside of the head. Different cameras can be used and a perfect counterbalance can be set for each individual camera.

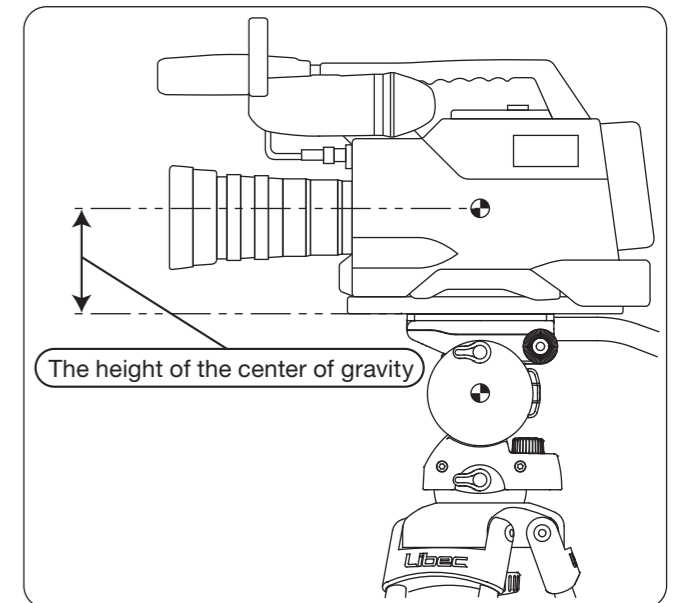


Counterbalance chart to help you choose the perfect tripod head

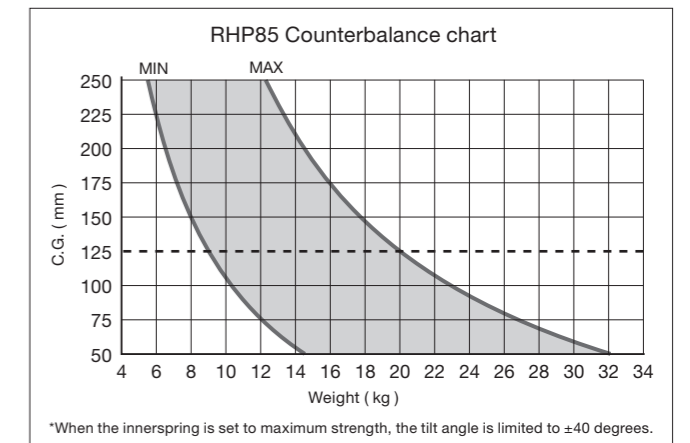
The definitive way to find the most accurate counterbalance between camera/accessories and a tripod head is to actually mount the camera on the head. However, you can use this counterbalance chart to get a rough idea of the correct counterbalance. The vertical axis of the chart depicts the height of the gravitational center and the horizontal axis is load weight (total weight of the camera and accessories). Based on the combination of these two elements, you can find a suitable tripod head for your camera. The area between the two curved lines represents the range of counterbalance that you can set with the counterbalance adjustment knob. When a standard lens, microphone and battery are used, the normal height of the gravitational center is approximately 125mm/4.9" (for a shoulder type camera) and 75mm/3.0" (hand-held). The height of the gravitational center will not shift much even when a different lens or a different battery is used on the back of the camera. Please be aware that attaching a light or a monitor on top of the camera will shift the center of gravity.



Fine-tunable counterbalance knob



The height of the center of gravity is the distance from the center of the camera to the top of the head (or the camera plate). The shorter this distance, the higher the weight point becomes.



RS +PLUS

Offering true comfort of operation ability in quick, slow, vertical and diagonal shot. The perfect controllability captures every single movement. Setup, shooting and transportation. Eexcellent, user-friendly for all situations. Libec's stylish and highly-developed technology leads to a new tripod range. "RS PLUS" brings an innovation to tripod systems.



S T U D I O



E N G



D I G I T A L C I N E M A

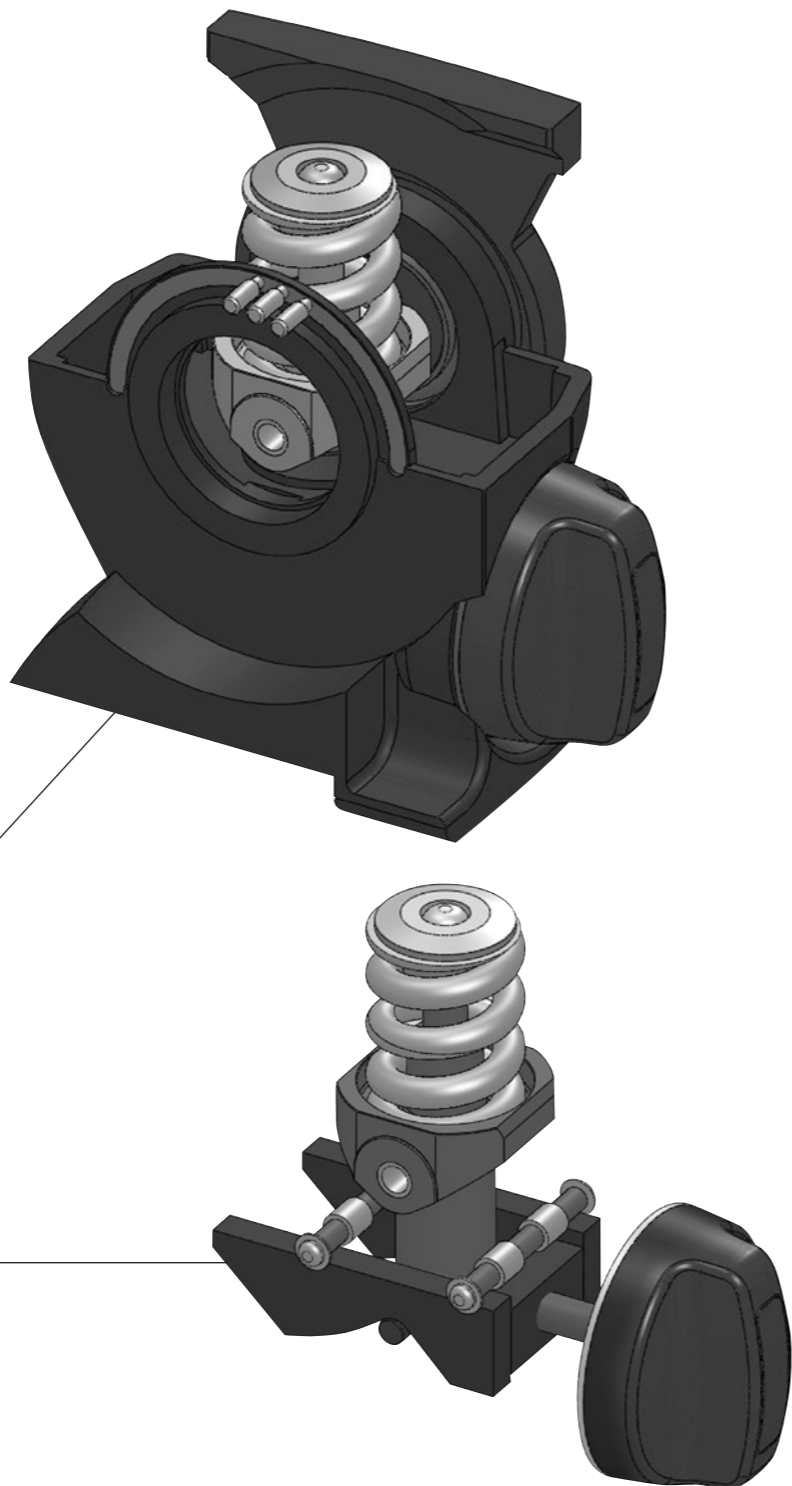
Head

Counterbalance Technology

The spring tension of the head can be precisely adjusted according to the weight of the mounted camera using the counterbalance adjustment knob. This provides a perfect counterbalance between the camera weight and the innerspring tension at any tilt angle.

Libec's unique **balance stabilizer mechanism** prevents even the slightest wobble on the image caused by the spring-back effect at a stopping tilt movement. In addition, this mechanism greatly simplifies the strict adjustment procedures needed for perfect balancing. First, turn the tilt torque dial to 1 and balance the camera lengthwise. Then, adjust the spring tension by turning the counterbalance adjustment knob. Tilt the camera, once the camera remains stationary, then the counterbalance adjustment is complete. This way, the "perfect counterbalance" is easily achieved, which ensures a stable image even when the pan handle is released from the shooter's hands.

Generally, the spring tension gets stronger as the counterbalance adjustment knob is turned clockwise, increasing tension on the knob. This difficulty is simplified by the head's **smooth balancing system** which stabilizes the turning force efficiently. The knob can be turned with constant force and offers easy and speedy adjustments.



Torque System

The sealed torque unit contributes to the smooth start and stop of pan and tilt movement, and produces precise camerawork just as intended. In addition, specific silicon grease is applied to ensure ordinary pan and tilt movement at a wide temperature range from -40°C/-40°F up to +60°C/+140°F. The variable seven-step torque switch system covers remarkably wide torque range, by which an optimum torque is selectable according to every shooting conditions and circumstances.



One Touch Attachment & Release

The camera plate is attachable and detachable with just one touch, promoting speedy and easy setup.

Tripod

850 HEAVY DUTY
Highly rigid and robust. Designed for heavy duty performance

The stable and steady camerawork is always ensured thanks to the remarkable rigidity and robustness achieved by the dual pipe structure in tripod T103B.

750 ENG

Leg joints are equipped with grips for easy and comfortable transportation.

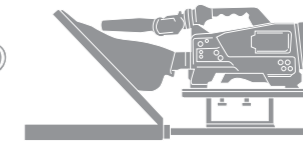
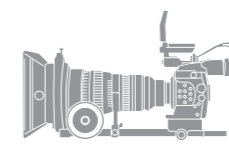


Case

The all-round tripod case for easy transportation

The case is equipped with two wheels and can be pulled along by the side handle grip, which allows easy transportation on foot. Damages are prevented by the soft and hard protectors on all sides of the case which absorb impacts, while the inner strap holds the tripod firmly in place. This all-round tripod case is designed with high rigidity and can be safely transported as a check-in luggage during flight.





Long sliding plate

RHP85 **New**

Maximum load weight of 25kg / 55lb

The 850 series performs perfectly with digital cinema cameras, teleprompters, and studio cameras with viewfinders.

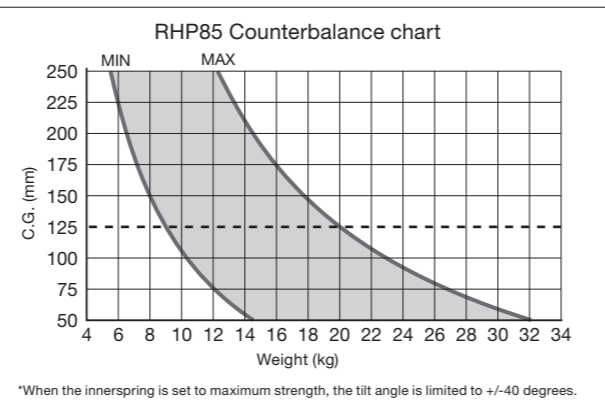
Seven-step panning and tilting torque switch

Torque can be adjusted precisely to accommodate all shooting conditions and circumstances.

Long sliding plate included as standard

The long sliding plate comes standard, which provides a wide range of lengthwise camera balancing.

Counterbalance range	9 to 20kg / 20.0 to 44.0lb (C.G.125mm)
Payload	25kg / 55.0lb
Counterbalance	Continuous
Drag mode	7STEP
Tilt angle	+90° / -70°
Temperature range	-40°C to +60°C / -40°F to +140°F
Bubble level	Illuminated
Camera plate	2 Sliding plates (Standard + Long)
Sliding range	+/-55mm / 2.2"(Standard), +/-85mm / 3.3"(Long)
Plate attachment	3/8" screw x 2
Spare screw	3/8" screw
Weight	3.9kg / 8.6lb



RSP-850 **New**

RHP85 / T103B / SP-6B / RC-80 System with floor spreader

Weight	11.6kg / 25.5lb
Height	79.5 to 191.5cm / 31.5 to 75.5"
Ball diameter	100mm
Section	2STAGE

RSP-850M **New**

RHP85 / T103B / BR-6B / FP-3B / RC-80 System with mid-level spreader

Weight	11.4kg / 25.1lb
Height	95.5 to 189.5cm / 37.5 to 74.5"
Ball diameter	100mm
Section	2STAGE





RHP75 **New**

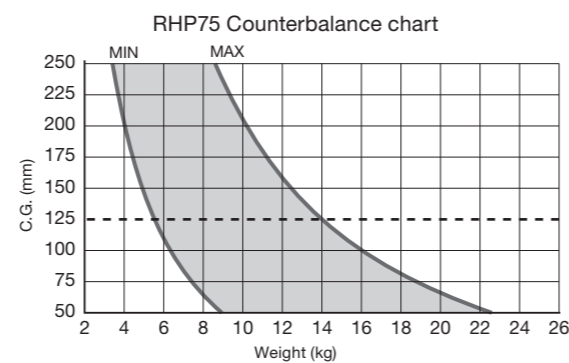
The standard ENG tripod system

Seven-step panning and tilting torque switch

Torque can be adjusted precisely to accommodate all shooting conditions and circumstances thanks to the seven-step panning and tilting torque switch. In addition, the 750 series is designed for ENG shootings with its panning

and tilting torque designed approximately 30% lighter than that of the 850 series, which is ideal to capture swift moving objects.

Counterbalance range	5.5 to 14kg / 12.0 to 31.0lb (C.G.125mm)
Payload	17kg / 37.5lb
Counterbalance	Continuous
Drag mode	7STEP
Tilt angle	+90° / -70°
Temperature range	-40°C to +60°C / -40°F to +140°F
Bubble level	Illuminated
Camera plate	Sliding plate
Sliding range	+/-55mm / 2.2"
Plate attachment	3/8" screw x 2
Spare screw	3/8" screw
Weight	3.8kg / 8.4lb



*When the innerspring is set to maximum strength, the tilt angle is limited to +/-40 degrees.



RSP-750 **New**

RHP75 / RT50B / SP-2B / RC-70
System with floor spreader

Weight	7.8kg / 17.2lb
Height	65 to 175.5cm / 25.5 to 69.0
Ball diameter	100mm
Section	2STAGE



RSP-750C Carbon pipe **New**

RHP75 / RT50C / SP-2B / RC-70
System with floor spreader

Weight	7.5kg / 16.5lb
Height	65 to 175.5cm / 25.5 to 69.0
Ball diameter	100mm
Section	2STAGE



RSP-750M **New**

RHP75 / RT50B / BR-6B / FP-2B / RC-70
System with mid-level spreader

Weight	7.6kg / 16.7lb
Height	85 to 173.5cm / 33.5 to 68.5
Ball diameter	100mm
Section	2STAGE



RSP-750MC Carbon pipe **New**

RHP75 / RT50C / BR-6B / FP-2B / RC-70
System with mid-level spreader

Weight	7.3kg / 16.1lb
Height	85 to 173.5cm / 33.5 to 68.5
Ball diameter	100mm
Section	2STAGE



The technology you can reach

Ideal counterbalance

Complete counterbalance make it possible to stop the camera precisely at any tilt angle.

*When the innerspring is set to maximum strength, the tilt angle is limited to +/-40 degrees.

Impeccable camerawork thanks to a new drag system

The new mechanism of the drag system makes for a quantum leap in operability when panning or tilting. There is also a significant reduction in the wobbling of the image that occurs with panning at the start of shooting, as well as in the backlash that occurs at the end of panning. Enjoy stress-free camerawork for the first time.

Low-temperature characteristics represent a giant leap forward compared to conventional sets

Use this unit in temperatures as low as -40 degrees C / -40 degrees F. Ordinary torque performance is demonstrated even in frigid climates.

Outstanding rigidity. Completely new tripod design.

The newly designed tripod eliminates wobbling of the image caused by tripod twisting.

Advanced RS series with upgraded functions **New**

Equipped with LED bubble level

250/350 series now provided with a LED bubble level.

Maximum height of 173cm/68.0"

(450 series only)

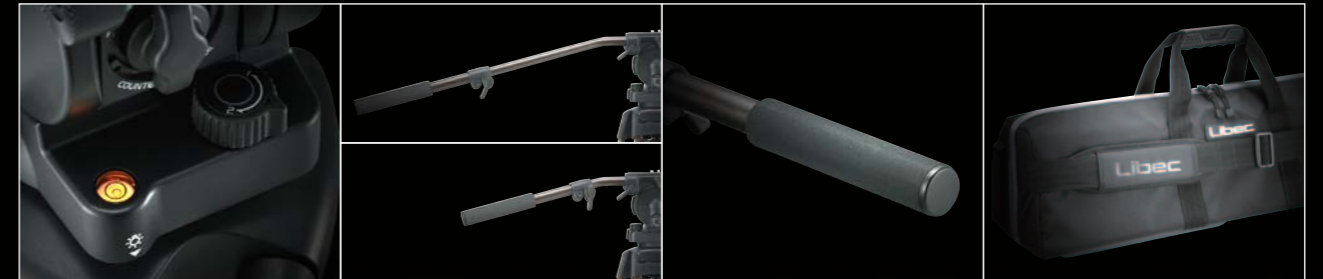
Increased maximum height for the RT40RB(with a floor spreader attached) is 6cm/2.5" higher than our previous models.

Advanced designed extendable pan handle

All equipped with extendable pan handles and rubber grips for precise camera movements.

A new tripod case with highly developed durability and usability (450 series only)

The RC-50 is a sophisticated tripod case equipped with a bottom protector, shoulder pad and handle grip.



Perfect for lightweight and reasonably priced shoulder cameras

Free and three-step panning and tilting torque switch

The excellent rigidity equal to ENG tripods

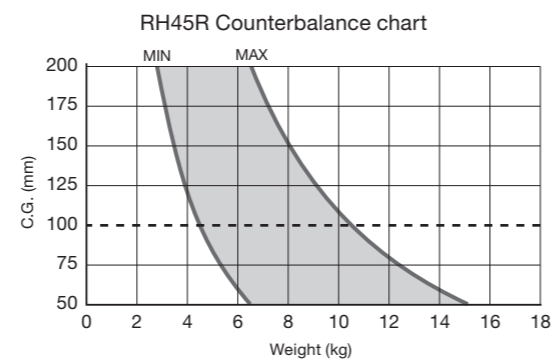
The 75mm ball tripod of the RS-450 series is designed similar to the 100mm ball tripod RT50B, by which its high rigidity can be achieved. Leg joints are equipped with grips for easy transportation.

The highly durable and lightweight portable tripod case RC-50 included as standard



RH45R

Counterbalance range	4.5 to 10.5kg / 10.0 to 23.0lb (C.G.100mm)
Payload	12kg / 26.5lb
Counterbalance	Continuous
Drag mode	Free plus 3STEP
Tilt angle	+90° / -70°
Temperature range	-40°C to +60°C / -40°F to +140°F
Bubble level	Illuminated
Camera plate	Sliding plate
Sliding range	+/-40mm / 1.6"
Plate attachment	1/4" screw with video pin
Spare screw	1/4" and 3/8" screws
Weight	2.7kg / 5.9lb



*When the innerspring is set to maximum strength, the tilt angle is limited to +/-40 degrees.



RS-450R

RH45R / RT40RB / SP-2B / RC-50
System with floor spreader

Weight	6.7kg / 14.7lb
Height	63 to 173cm / 25.0 to 68.0"
Ball diameter	75mm
Section	2STAGE

RS-450RM

RH45R / RT40RB / BR-6B / FP-2B / RC-50
System with mid-level spreader

Weight	6.5kg / 14.3lb
Height	82.5 to 171cm / 32.5 to 67.5"
Ball diameter	75mm
Section	2STAGE





Perfect for large sensor cameras and semi-shoulder type cameras

Free and three-step panning and tilting torque switch

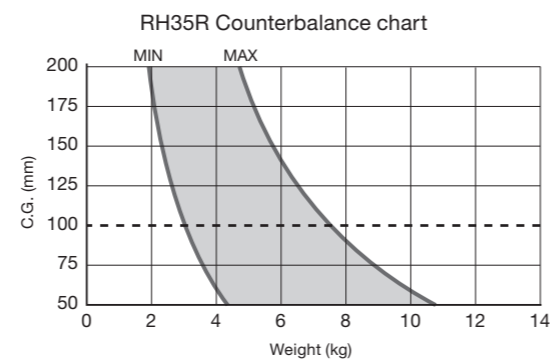
The lightweight efficiency and supreme rigidity performed by the tripod RT30B

Smaller and lighter than the RT40RB, yet maintains equivalent stability and rigidity.



RH35R

Counterbalance range	3 to 7.5kg / 6.5 to 16.5lb (C.G.100mm)
Payload	9kg / 20.0lb
Counterbalance	Continuous
Drag mode	Free plus 3STEP
Tilt angle	+90° / -70°
Temperature range	-40°C to +60°C / -40°F to +140°F
Bubble level	Illuminated
Camera plate	Sliding plate
Sliding range	+/-40mm / 1.6"
Plate attachment	1/4" screw with video pin
Spare screw	1/4" and 3/8" screws
Weight	2.7kg / 5.9lb



*When the innerspring is set to maximum strength, the tilt angle is limited to +/-40 degrees.



RS-350R

RH35R / RT30B / SP-2B / RC-30
System with floor spreader

Weight	6.2kg / 13.6lb
Height	56 to 166cm / 22.0 to 65.5"
Ball diameter	75mm
Section	2STAGE



RS-350RM

RH35R / RT30B / BR-2B / FP-2B / RC-30
System with mid-level spreader

Weight	5.9kg / 13.0lb
Height	81 to 165.5cm / 32.0 to 65.0"
Ball diameter	75mm
Section	2STAGE



The standard series with outstanding cost-effectiveness designed for small cameras

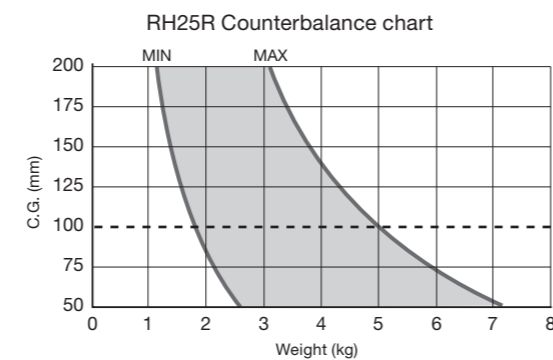
Equipped with an LED bubble level and an extendable pan handle as standard
The lightweight efficiency and supreme rigidity performed by the tripod RT30B

Smaller and lighter than the RT40RB, yet maintains equivalent stability and rigidity.



RH25R

Counterbalance range	1.8 to 5kg / 4.0 to 11.0lb (C.G.100mm)
Payload	6kg / 13.0lb
Counterbalance	Continuous
Drag mode	2STEP
Tilt angle	+90° / -70°
Temperature range	-40°C to +60°C / -40°F to +140°F
Bubble level	Illuminated
Camera plate	Sliding plate
Sliding range	+/- 40mm / 1.6"
Plate attachment	1/4" screw with video pin
Spare screw	1/4" and 3/8" screws
Weight	2.5kg / 5.5lb



*When the innerspring is set to maximum strength, the tilt angle is limited to +/-40 degrees.



RS-250R

RH25R / RT30B / SP-2B / RC-30
 System with floor spreader

Weight	6kg / 13.2lb
Height	55 to 165cm / 21.5 to 65.0"
Ball diameter	75mm
Section	2STAGE



RS-250RM

RH25R / RT30B / BR-2B / FP-2B / RC-30
 System with mid-level spreader

Weight	5.7kg / 12.5lb
Height	80 to 164.5cm / 31.5 to 65.0"
Ball diameter	75mm
Section	2STAGE





LX



Best value in the range

- Trace every motion from start to finish with its supreme torque system
- Outstanding rigidity and payload. Completely new tripod design.
- A high-grade spreader and large rubber feet included with standard package



LX10 **New**

LX10 Head / RT50B / SP-2B / RC-50
System with floor spreader

Weight	7.6kg / 16.7lb
Height	63 to 173.5cm / 25.0 to 68.5"
Ball diameter	100mm
Section	2STAGE

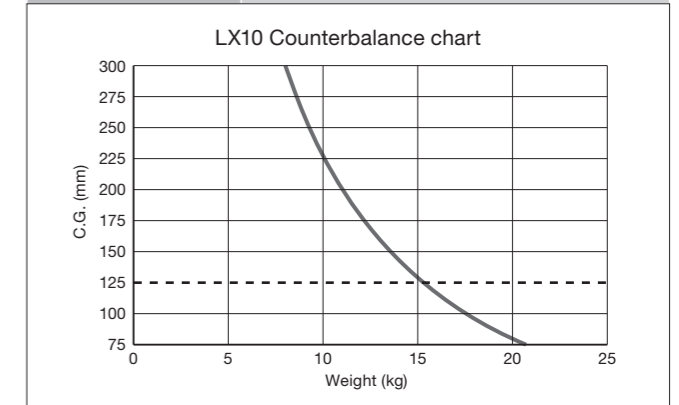


LX10 M **New**

LX10 Head / RT50B / BR-6B / FP-2B / RC-50
System with mid-level spreader

Weight	7.4kg / 16.3lb
Height	83 to 171.5cm / 32.5 to 67.5"
Ball diameter	100mm
Section	2STAGE

Payload	16kg / 35.0lb
Counterbalance	FIX
Drag mode	2STEP
Tilt angle	+85° / -65°
Temperature range	-20°C to +60°C / -4°F to +140°F
Bubble level	Non illuminated
Camera plate	Sliding plate
Sliding range	+/-50mm / 2.0"
Plate attachment	3/8" screw x 2
Spare screw	3/8" screw



LX10 Studio **New**

LX10 Head (Dual pan handle) / RT50B / DL-3B
System with dolly

Weight	10.6kg / 23.3lb
Height	91.5 to 187cm / 36.0 to 73.5"
Ball diameter	100mm
Section	2STAGE

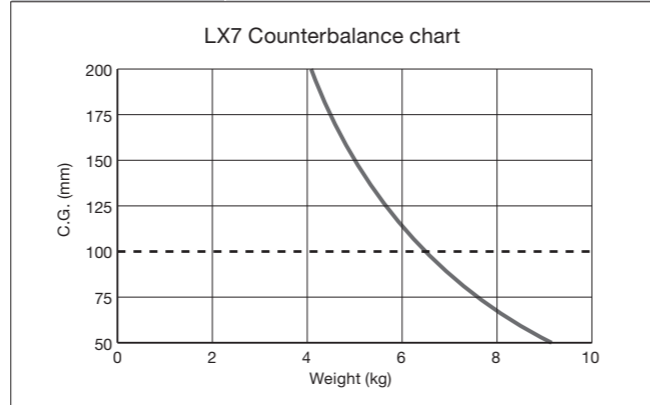


LX7

LX7 Head / RT30B / SP-2B / TC-70
System with floor spreader

Weight	5.5kg / 12.1lb
Height	56 to 166cm / 22.0 to 65.5"
Ball diameter	75mm
Section	2STAGE

Payload	8kg / 17.5lb
Counterbalance	FIX
Drag mode	FIX
Tilt angle	+90° / -80°
Temperature range	-20°C to +60°C / -4°F to +140°F
Bubble level	Non illuminated
Camera plate	Sliding plate
Sliding range	+/-40mm / 1.6"
Plate attachment	1/4" screw with video pin
Spare screw	3/8" screw

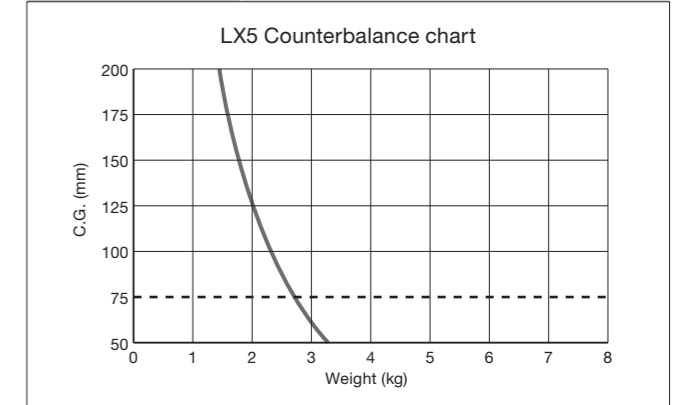


LX5

LX5 Head / RT30B / SP-2B / TC-70
System with floor spreader

Weight	5.5kg / 12.1lb
Height	56 to 166cm / 22.0 to 65.5"
Ball diameter	75mm
Section	2STAGE

Payload	4kg / 9.0lb
Counterbalance	FIX
Drag mode	FIX
Tilt angle	+90° / -80°
Temperature range	-20°C to +60°C / -4°F to +140°F
Bubble level	Non illuminated
Camera plate	Sliding plate
Sliding range	+/-40mm / 1.6"
Plate attachment	1/4" screw with video pin
Spare screw	None



LX7 M

LX7 Head / RT30B / BR-2B / FP-2B / TC-70
System with mid-level spreader

Weight	5.2kg / 11.4lb
Height	81 to 165.5cm / 32.0 to 65.0"
Ball diameter	75mm
Section	2STAGE



LX5 M

LX5 Head / RT30B / BR-2B / FP-2B / TC-70
System with mid-level spreader

Weight	5.2kg / 11.4lb
Height	81 to 165.5cm / 32.0 to 65.0"
Ball diameter	75mm
Section	2STAGE

TH-950DV

An ideal tripod system for lightweight and small video cameras. Counterbalance is adjustable at three positions according to the lengthwise balance of your camera. The TH-950DV provides an easy step to advance your video shooting.

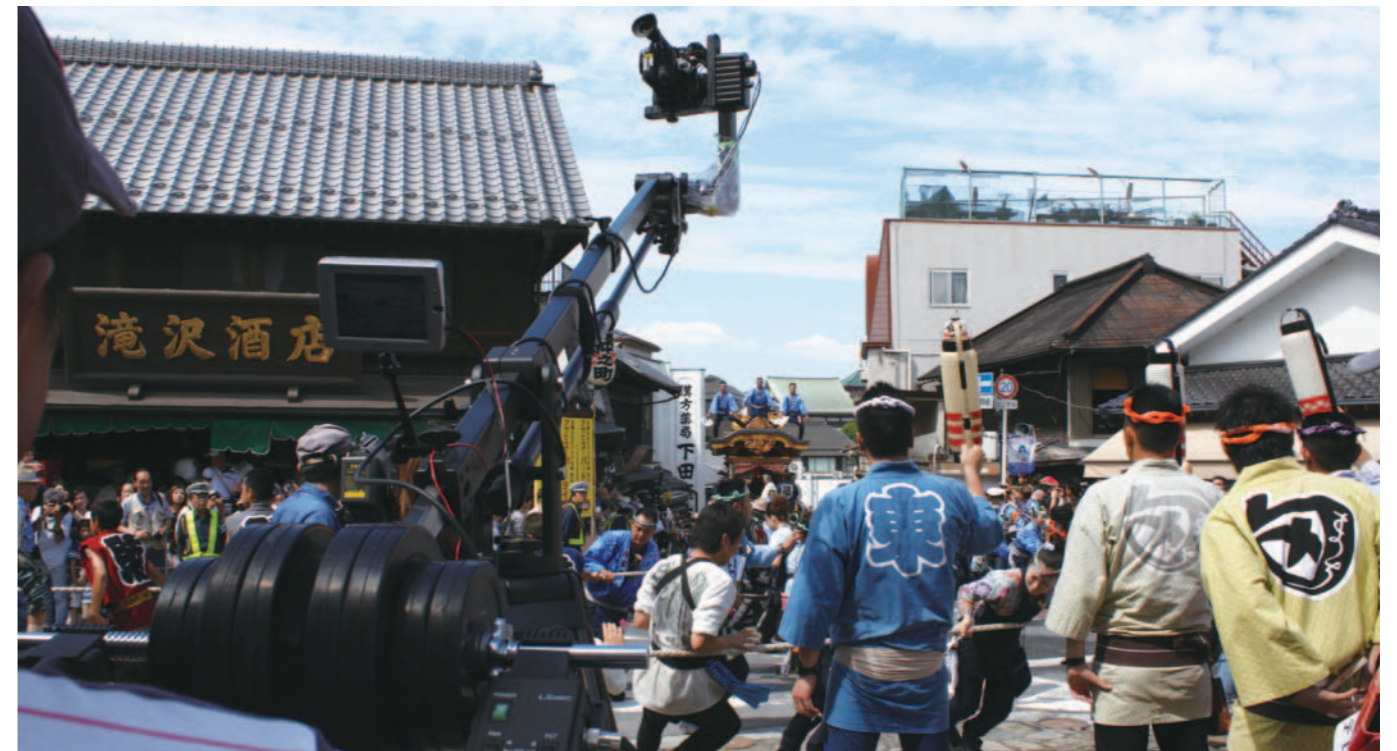
Payload	4kg / 9.0lb
Counterbalance	Off + 3position
Drag mode	FIX
Tilt angle	+90° / -60°
Temperature range	-20°C to +60°C / -4°F to +140°F
Bubble level	Non illuminated
Camera plate	Quick release plate
Plate attachment	1/4" screw with video pin
Spare screw	None
Weight	3.7kg / 8.1lb
Height	75 to 155cm / 29.5 to 61.0"
Ball diameter	75mm
Section	2STAGE



TH-650DV

Great camera balance can be achieved due to the counterbalance feature with the built-in spring. The fluid torque system contributes to smooth operation. The TH-650DV is an ideal entry-level tripod system for home video shootings and for digital single-lens reflex camera users.

Payload	3kg / 6.5lb
Counterbalance	FIX
Drag mode	FIX
Tilt angle	+90° / -70°
Temperature range	-20°C to +60°C / -4°F to +140°F
Bubble level	Non illuminated
Camera plate	Quick release plate
Plate attachment	1/4" screw with video pin
Spare screw	None
Weight	3.2kg / 7.0lb
Height	70 to 150cm / 27.5 to 59.0"
Ball diameter	65mm
Section	2STAGE

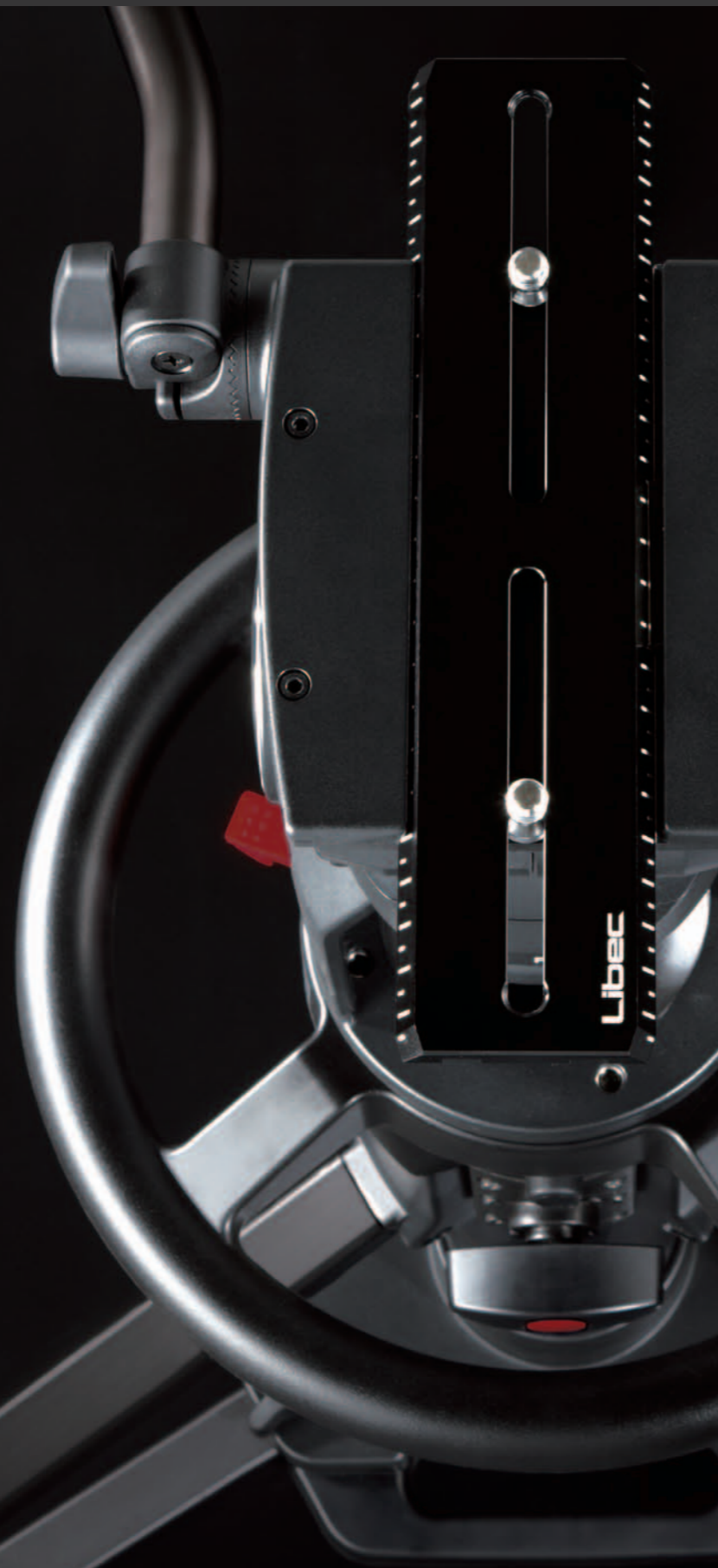


SMOOTH OPERATORS



Pedestal Systems

- P110B
- P110S
- RSP-850PD(B)
- RSP-750PD(B)
- RSP-850PD(S)
- RSP-750PD(S)



Pedestal Systems



Easy-setup compact pedestals

These compact pedestals are designed for both outside broadcasting and studio shooting, with a maximum load weight of 30kg/66lb (head included). Setup is easy by using the supplied air pump to adjust the air pressure according to the weight of your camera and accessories. In addition, the double bearing system is applied to prevent wobbling generated by quick vertical motion, which ensures a smooth movement.



P110B Outside Broadcast Version

Large sized Ø125mm/4.9" casters provide quick smooth movement. The double stopper mechanism enables a one-touch locking of the wheel.



Payload	30kg / 66lb (Including head)
Weight	15.1kg / 33.2lb
Height	82.5 to 157.5cm / 32.5 to 62.0"
Ball diameter	100mm
Column	2STAGE



P110S Studio Version

The P110S is equipped with the tracking locking mechanism and cable guards which come standard with the large-sized double-wheel 125mm/4.9" casters. The tracking locking mechanism ensures straight-line movement by locking the caster direction, while the cable guards prevent the wheels from running over the cable during studio production.



Payload	30kg / 66lb (Including head)
Weight	18.6kg / 40.9lb
Height	81 to 156cm / 32.0 to 61.5"
Ball diameter	100mm
Column	2STAGE

RSP-850PD(B) **New**

RHP85 / P110B / PH-8B×2



Long sliding plate

Payload	25kg / 55.0lb
Weight	19.3kg / 42.5lb
Height	100 to 175cm / 39.5 to 69.0"
Ball diameter	100mm
Column	2STAGE

RSP-750PD(B) **New**

RHP75 / P110B / PH-8B×2



Payload	17kg / 37.5lb
Weight	19.2kg / 42.2lb
Height	100 to 175cm / 39.5 to 69.0"
Ball diameter	100mm
Column	2STAGE

RSP-850PD(S) **New**

RHP85 / P110S / PH-8B×2



Long sliding plate

Payload	25kg / 55.0lb
Weight	22.8kg / 50.2lb
Height	98.5 to 173.5cm / 39.0 to 68.5"
Ball diameter	100mm
Column	2STAGE

RSP-750PD(S) **New**

RHP75 / P110S / PH-8B×2



Payload	17kg / 37.5lb
Weight	22.7kg / 49.9lb
Height	98.5 to 173.5cm / 39.0 to 68.5"
Ball diameter	100mm
Column	2STAGE



Jib, Remote Head & Tracking Rails

- SWIFTJIB50 KIT
- SWIFTJIB50
- WEIGHT30 KIT
- HANDLE50
- REMO30
- CABLE500
- CU30
- TR-320
- EX-160S
- CR-90

**SMOOTH
OPERATORS**



SWIFT JIB

REMOTE HEAD

Your One-Stop-Shop

Going low budget? Shooting with a small crew? Whatever the situation, the perfect shot is always desired. To pursue your complete satisfaction, you can rely on Libec's wide selection of camera support equipment: Jib arms, remote heads, tripods, accessory supports, remote controls, and tracking rails... Libec exceeds all your expectations with professional camera support for all.



SWIFT JIB

Quick, Compact, Dynamic. Versatile player at any location.

The SWIFTJIB50 is equipped with a telescopic arm extendable to 90cm/35.5" that offers you higher angles than our existing Libec jib arms. With this new SWIFTJIB50, you can achieve dynamic high-angle shots by using in conjunction with remote head, as well as delicate camerawork operated from the front. Quick and easy set up. Portable and light weight in the carrying case excluding weights. Achieve your ideal shot with only a small crew, anytime anywhere. The telescopic jib arm SWIFTJIB50 offers you an all-round support, true to its name.



SWIFT JIB50 KIT

Jib arm	SWIFT JIB50
Tripod	T102B
Dolly	DL-8B

Standard kit of the SWIFT JIB

All black color, including tripod and dolly. Standard kit of the SWIFT JIB50 comes with carrying cases for each item: jib arm, tripod and dolly.

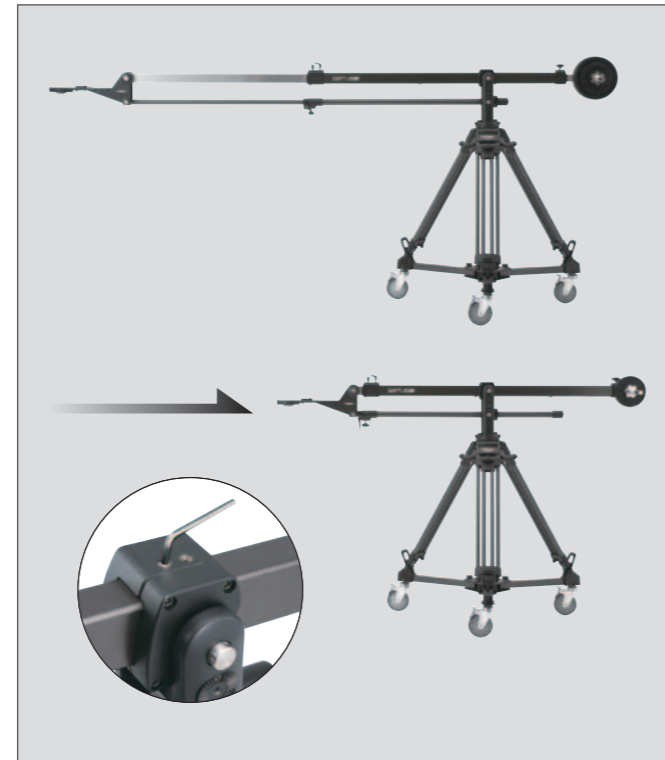


Note: Weight sold separately

SWIFT JIB50



Payload	① 20kg / 44.0lb (Main arm length : 100cm / 39.5") ② 15kg / 33.0lb (Main arm length : 145cm / 57.0") ③ 10kg / 22.0lb (Main arm length : 190cm / 75.0")
Main arm length	100 to 190cm / 39.5" to 75.0"
Weight	16.4kg / 36.1lb
Ball diameter	100mm



- 1. Padded carrying case
- 2. Swift Jib
- 3. 75mm adapter
- 4. Adjusting weight x1kg/2.2lb

Telescopic jib-No extra arms required

The main feature of the SWIFT JIB50 is its easily adjustable telescopic arm by turning the arms' lock levers. In addition, using the supplied hexagon wrench, the arm can be slid back 30cm/12.0" towards the rear of the jib. The SWIFT JIB50 is designed to accommodate every shooting scenario including small indoor and outdoor spaces for detailed and dynamic shots accompanied by a remote head.

Designed for ease of use

1/4" and 3/8" screw holes are strategically placed on the support arm and head mount platform, and this allows ideal positioning of LCD monitor. A support column is also equipped with attachments, and this allows you to attach our AS-7K accessory support on the right and left sides. Our new weight bar is designed to be used with a remote head. Control box and the HANDLE50 can be easily attached to the weight bar.



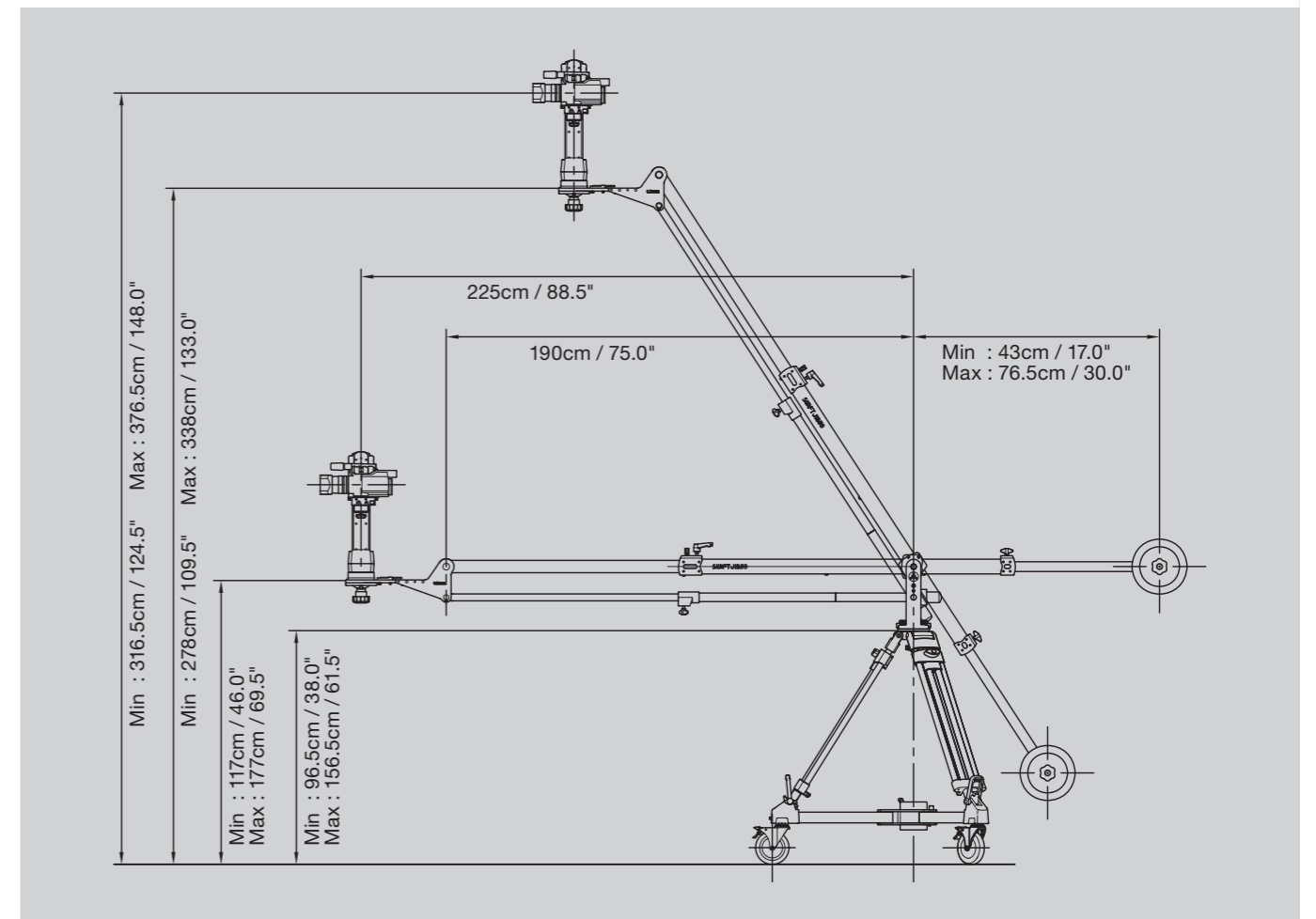
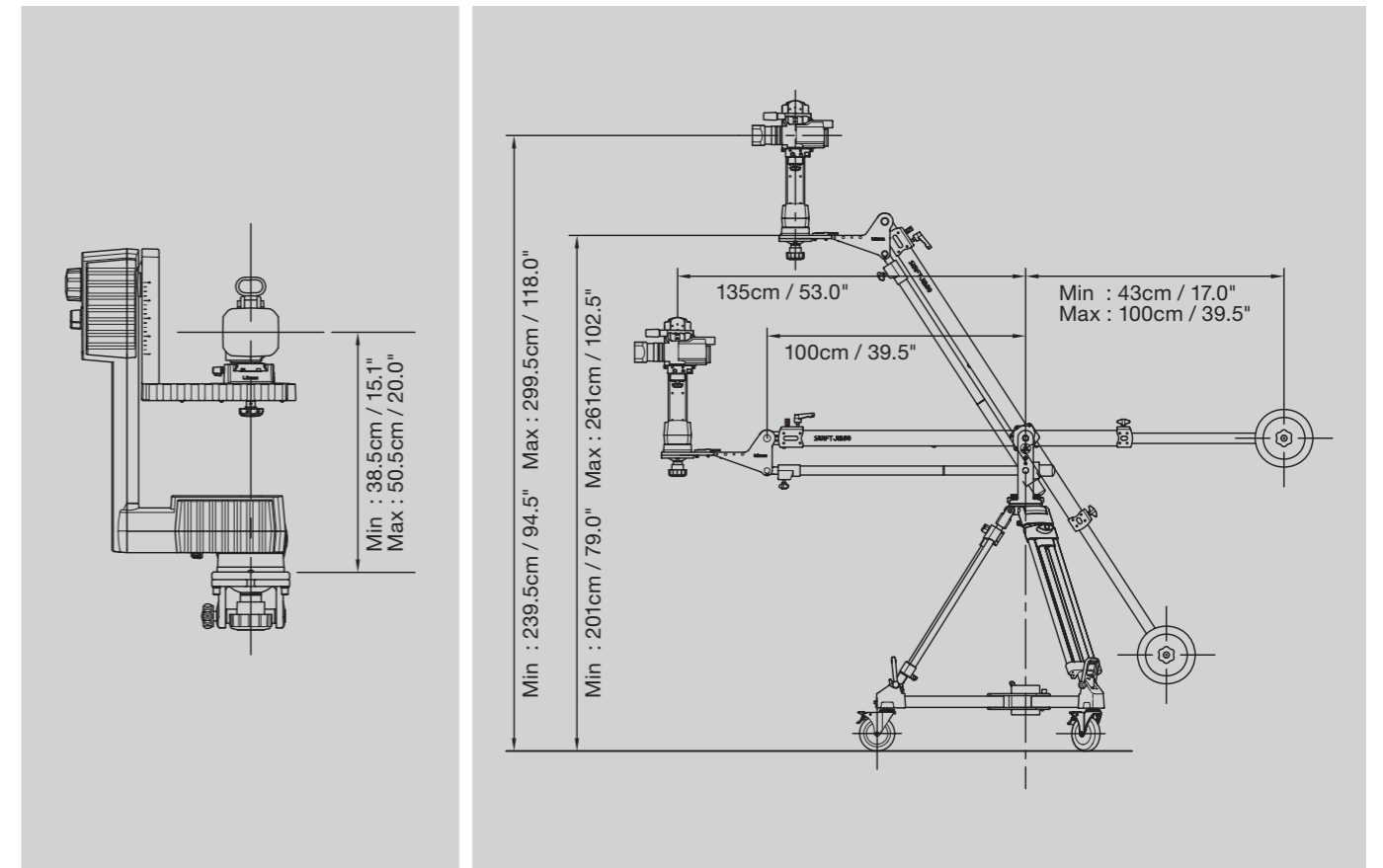
WEIGHT30 KIT

Standard weight kit of 30kg/66.0lb:
2 sets of 15kg/33.0lb weights
(5kg/11.0lb x 2,
2.5kg/5.5lb x 2)



Clamp handle for SWIFT JIB50
HANDLE50

The Handle50 can be clamped on the weight bar of the SWIFT JIB50. A remote control is attachable to the handle, this assures a smooth jib operation from the rear.



Capture your imagination from start to finish REMO30

What is most expected of a remote head is to perfectly perform your camerawork just as you intend on remote operation. The REMO30 is a high-grade remote head that exceeds your expectations. It is equipped with a unique drive system that transmits motor power accurately. Every movement can be traced at an ideal speed: pan, tilt, and also diagonal movement which is achieved by combining the power of pan and tilt motors. The REMO30 is splash proof, (meets IPX2

standards), it can tolerate outdoor shootings under severe climate conditions. The REMO30 is a universal remote head, it can be used with other equipment such as tripods and jib arms you already own. You can enhance added value by using this with various optional products, i.e. control unit CU30 which allows a more efficient remote operation, zoom & focus control ZFC-5HD available for LANC*(Sony/Canon) and Panasonic cameras, and other items.

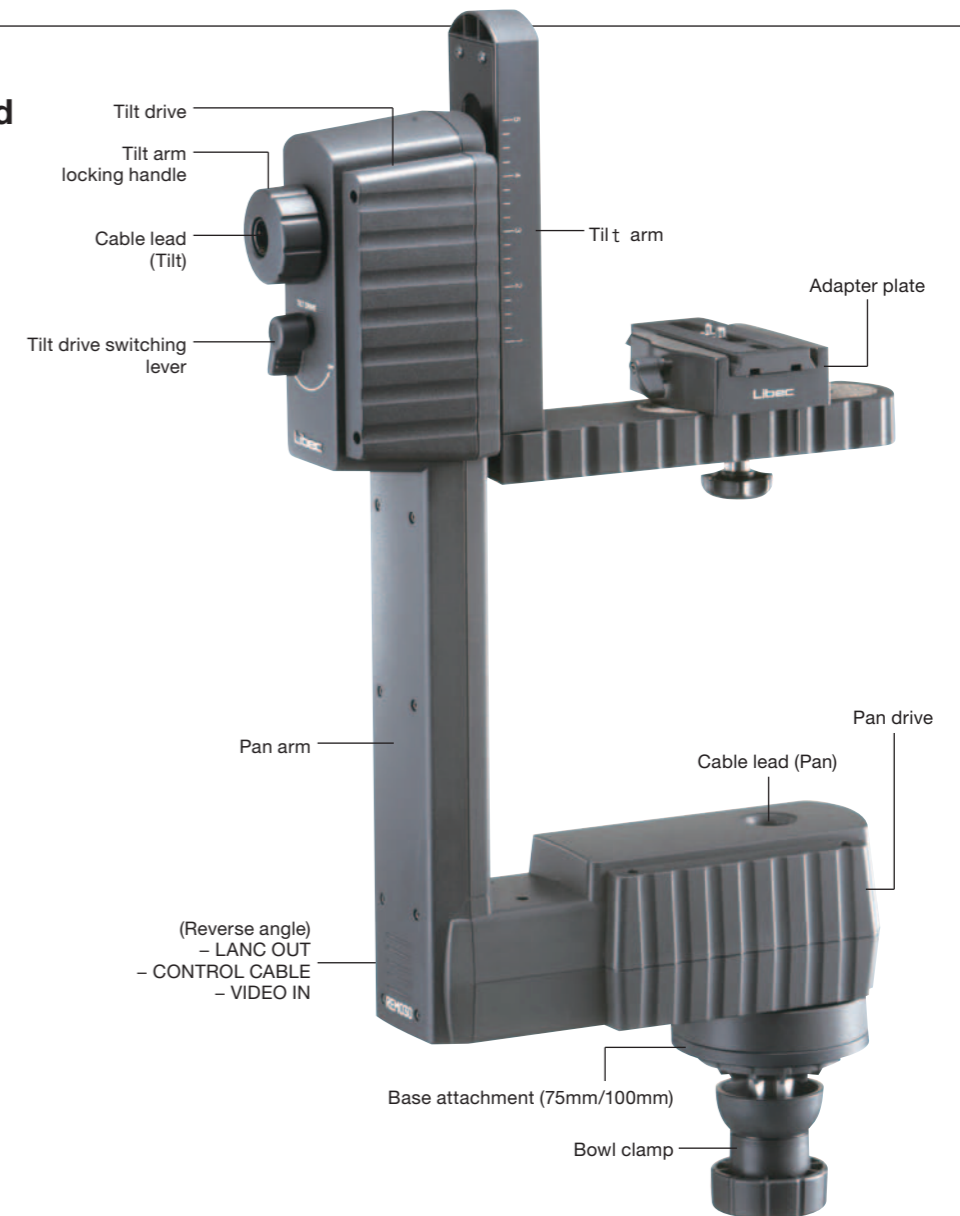
Payload	5kg / 11.0lb
Weight (Pan and tilt head)	4.5kg / 9.9lb
Weight (Control box)	0.7kg / 1.5lb
360°pan/tilt speed	9sec.
Power supply	AC100-240V DC12V

1. Pan and tilt head
2. Control box
3. Adapter plate
4. AC/DC adapter
5. 5m/16.5' control cable for head, LANC and monitor
6. 5m/16.5' HDMI cable
7. 1m/3.3' LANC cable
8. 1m/3.3' BNC cable
9. BNC to RCA adapter
10. HDMI to Mini HDMI adapter
11. Carrying case

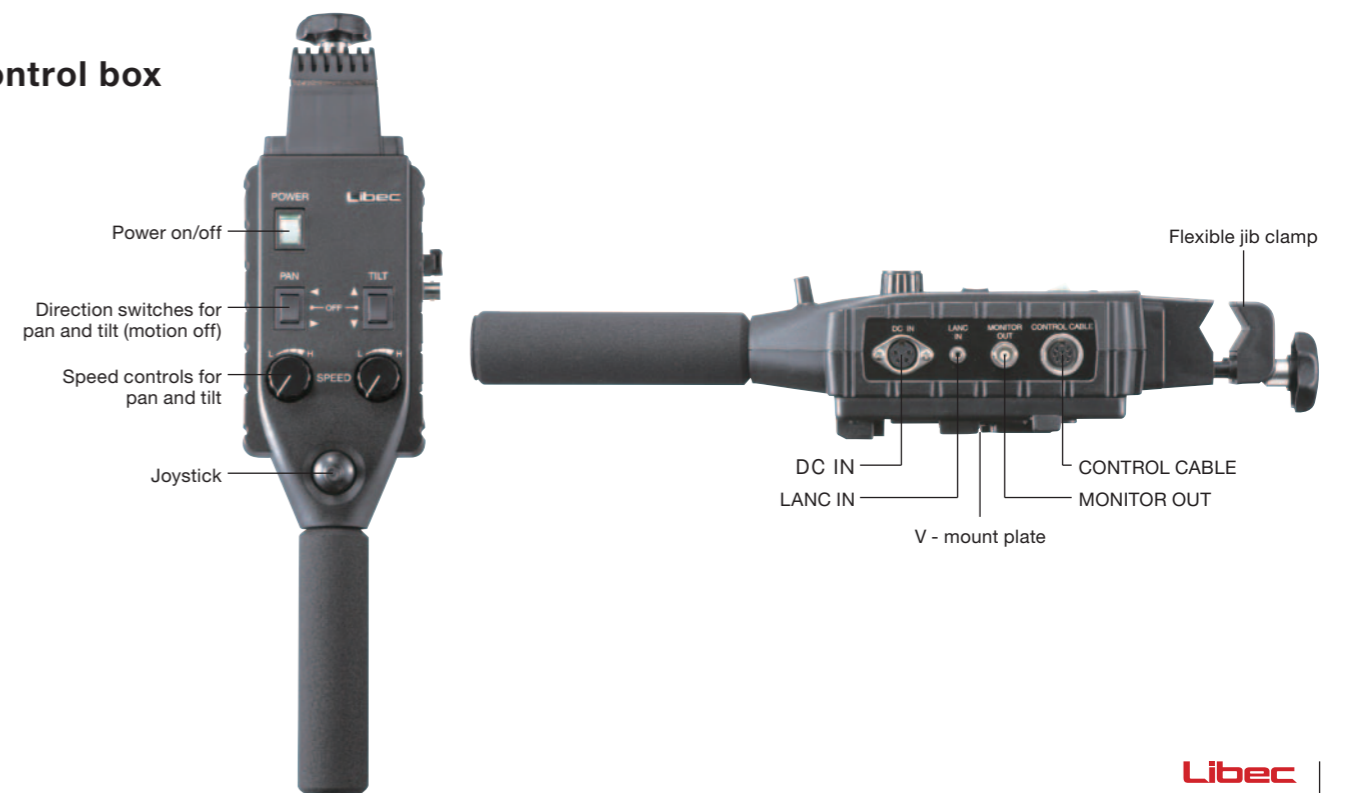


*LANC is a registered trademark of Sony Corporation.

Pan and tilt head



Control box



REMOTE HEAD

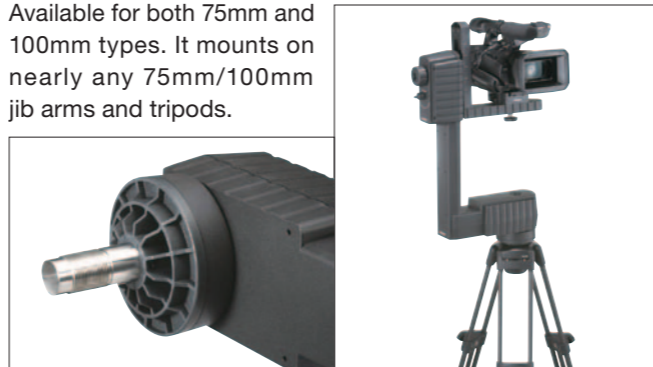
A perfect, bird's-eye view

When mounted upside down, you can achieve a complete bird's-eye shot.



Flexible mounting on 75mm/100mm jib arms and tripods

Available for both 75mm and 100mm types. It mounts on nearly any 75mm/100mm jib arms and tripods.



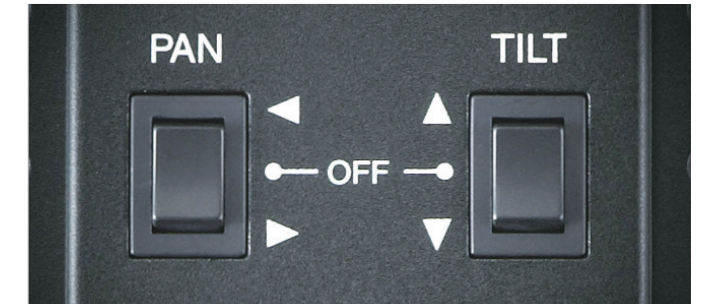
Variable speed control

An infinite variable speed control can be achieved by operating the joystick and pan & tilt speed control dials.



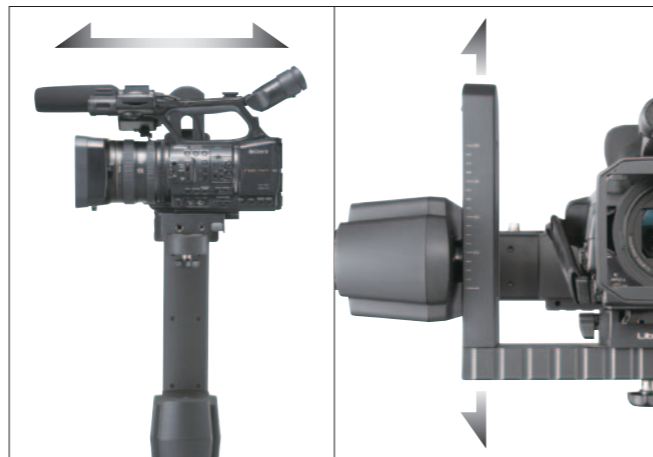
Pan & tilt lock system

Equipped with a lock system that can stop either pan or tilt motions. This enables you to focus on a single direction for an accurate operation.



Easy and accurate camera balancing

The REMO30 ensures a perfect camera balance. This prevents motor and drive stalling during tilt movements. Instead, it offers smooth camerawork at all times. Equipped with a 80mm/3.0" sliding adapter plate, which aids back and forth balancing of a camera. For center of gravity positioning, fine tune adjustments can be achieved with the tilt arm at 90 degrees.



Battery powered operations

The V-mount battery is attachable to the back side of the back side of the control box.



Various cables and adapters included

A variety of cables and adapters are bundled to accommodate every shooting conditions and use of camera types.



Tangle-free cabling

Cable can be routed through the cable leads to prevent tangling, which offers a comfortable operation.



All-in-one cable connection

Pan & tilt control, LANC, and monitor cables are combined in a single control cable. Pan & tilt head and control box can also be connected with this single cable, by which a smart and simple cabling design is realized.

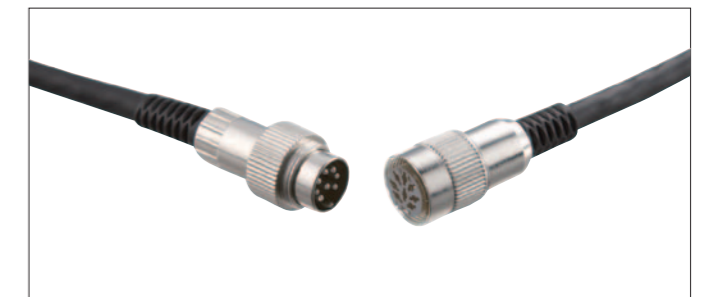


Control cable for head, LANC and monitor CABLE500

Length 5m / 16.5'



Control cables can be connected to extend up to 30m/99.0' in length.



Note: When the CONTROL CABLE is used for monitor output with HD-SDI cable, noise and image interruption symptoms may occur. In case of HD-SDI output usage, please connect HD-SDI BNC coaxial cable from the camera to the monitor separately.

Note: If the cable length exceeds 30m/99.0', it may cause noticeable noise on the monitor.

Control Unit

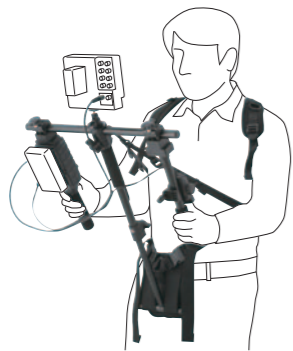
CU30



1. Carrying case
2. Vest
3. T-bar (Main bar + Support pipe)
4. Handle
5. Tripod adapter

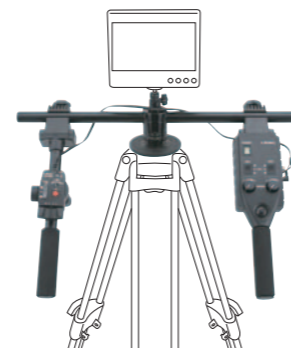
The CU30 is a remote control unit for the REMO30. The main advantage of this unit is that while one person concentrates on handling a crane or a jib arm, the other person can operate the remote head with the control box. The remote head operator can wear a Libec vest, attach the T-bar to it, while having the REMO30 control box on the right hand, the ZFC-5HD zoom and focus control on the left, and a monitor with a ball head attached at the front. This allows the remote head operator to move around freely, adding production value when shooting with a small crew. Using the supplied tripod adapter, the unit can also be mounted on a tripod.

Move freely with the vest



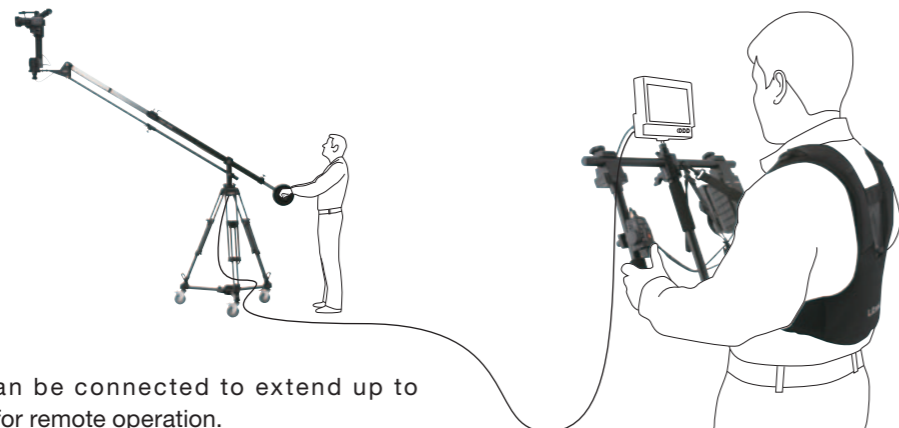
The vest is adjustable to fit any size, as well as the control box free to position.

Stable use with a tripod



Mounts on standard 75mm/100mm jib arms and tripods.

Functional for remote operation

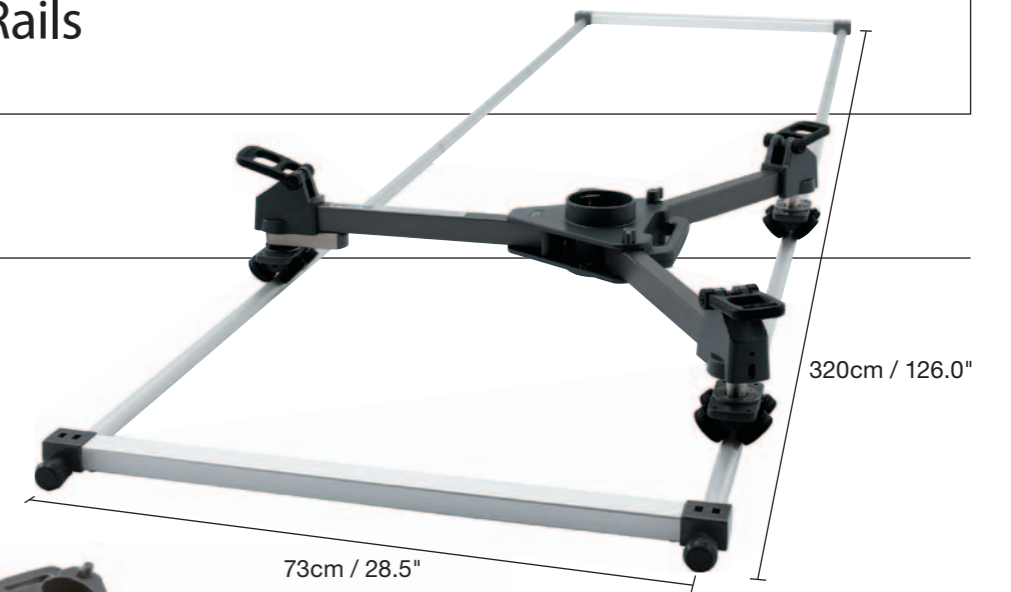


Control cables can be connected to extend up to 30m/99.0' in length for remote operation.

Tracking Rails

Tracking rail standard kit TR-320

1. Dolly carrying case
2. Dolly
3. Rail carrying case
4. Rail (80cm/31.5" pipe x 8)
5. Rail stopper



The TR-320 includes a set of 80cm/31.5" aluminum pipes to construct a 320cm/126.0" tracking rail. The dolly offers high-performance bearings and a specialized tracking system to prevent derailing. This allows smooth moving shots on either straight or curved rails. With a simple screw-in mechanism, pipes can be easily and firmly assembled, which enables a quick set up. The CR-90 curved rail and the EX-160S straight extension rails are also available, which offers more shooting flexibility.

Straight extension rail EX-160S

The EX-160S is an option for those who need to extend an extra straight rail. It includes 80cm/31.5" x 4 pipes.

Extension length	160cm / 63.0"
Weight	2.3kg / 5.1lb

90 degrees curved rail CR-90

The CR-90 is a versatile 90° curved rail that can be used with straight rails to make 45° or 90° curves.

Outer rail diameter	168cm / 66.0"
Weight	3.5kg / 7.7lb



Tracking Rails



Remote Controls

- ZFC-5HD
- EX-530HD
- ZC-3DV
- EX-530DV
- ZC-9Pro
- EX-530Pro
- A-12P
- ZC-9EX
- A-9EX
- A-3AV



Zoom and focus control for LANC(Sony/Canon) and Panasonic cameras **ZFC-5HD**

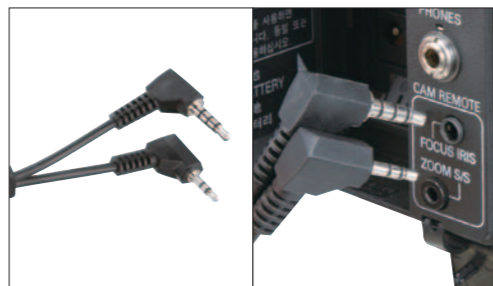
All-in-one zoom and focus control for LANC(Sony/Canon) and Panasonic cameras



The ZFC-5HD offers precise and variable zoom speed control available for LANC*(Sony/Canon) and Panasonic cameras, controlled by a selector switch. Equipped with a 2-step zoom speed control for LANC cameras. In addition, the ZFC-5HD is equipped with a focus control button for LANC and a focus dial for Panasonic cameras. Exclusively for LANC cameras, the ZFC-5HD has an on/off remote power switch function which allows your camera to power on/off remotely. This is ideal when shooting with a jib arm or crane. Can be clamped on various equipment: tripod pan handles, jib arm and crane weight bars, stabilizers, monopods and other accessories.

*LANC is a registered trademark of Sony Corporation.

The end of the cable splits into two parts with 2.5mm submini-jack and 3.5mm mini-jack on each end. When using Panasonic cameras, simultaneous control of zoom and focus can be achieved by plugging 2.5mm and 3.5mm jacks into the zoom and focus terminals, respectively.



Extension focus cable for Panasonic cameras **EX-530HD**



Length 5.3m / 17.5'

Note: When the remote terminal Ø3.5 (focus for Panasonic) is connected to the Panasonic cameras released after August 2009, manual mode is not available as the iris is fixed to the auto mode. To use the iris in the manual mode, please operate the focus on the camera without connecting the remote terminal Ø3.5.

Zoom control for LANC(Sony/Canon) and Panasonic cameras **ZC-3DV**

Universal controller for LANC(Sony/Canon) and Panasonic cameras

Zoom speed is variable from slowest to fastest by a very sensitive thumb switch. Versatile usage - the ZC-3DV clamps on tripod pan handles, jib arm and crane weight bars, stabilizers, monopods and other accessories.

Weight	0.12kg / 0.26lb
Cable length	0.5m / 1.6'

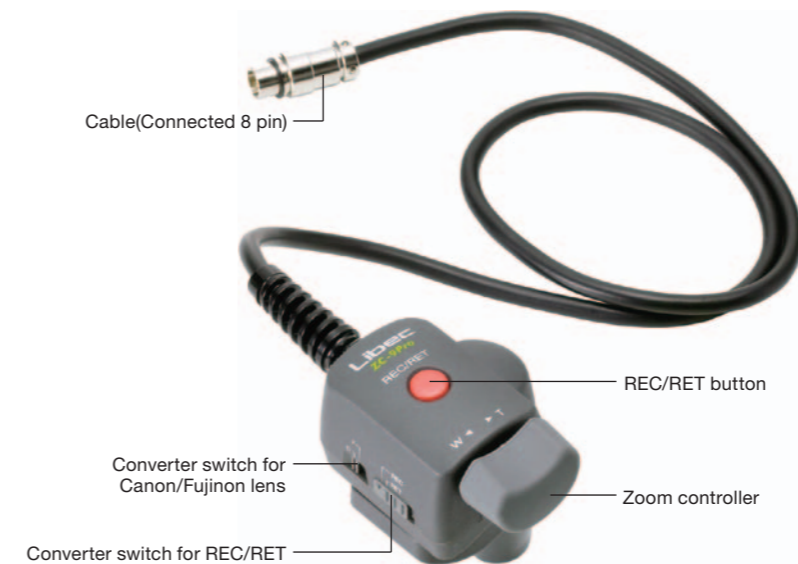


Zoom control for ENG lenses **ZC-9Pro**

Can be used with both Canon and Fujinon lenses by simply changing the switch

The ZC-9Pro can be used with both Canon and Fujinon 8-pin lenses. Versatile usage - the ZC-9Pro clamps on tripod pan handles, jib arm and crane weight bars, stabilizers, monopods and other accessories.

Weight	0.17kg / 0.37lb
Cable length	0.7m / 2.3'



Extension zoom cable for LANC (Sony/Canon) and Panasonic cameras **EX-530DV**

Length 5.3m / 17.5'



Extension zoom cable for ENG lenses **EX-530Pro**

Length 5.3m / 17.5'



12pin adapter **A-12P**

Use for 12pin connector



SONY PMW EX cameras connectable zoom control **ZC-9EX**

Compatible with SONY PMW-EX cameras. Can be used same as the ZC-9Pro by just removing the EX adapter. Versatile usage - ZC-9EX clamps on tripod pan handles, jib arm and crane weight bars, stabilizers, monopods and other accessories.

Weight	0.2kg / 0.44lb
Cable length	0.7m / 2.3'(main cable)
	0.1m / 0.3'(EX connector)



SONY PMW-EX cameras adapter cable **A-9EX**

The A-9EX is a conversion adapter that allows you to connect Sony's PMW-EX cameras to zoom controls for Fujinon's ENG lenses.



LANC/AV adapter cable **A-3AV**

Conversion cable available to connect LANC* zoom control to Sony Handycam* equipped with AV remote terminal.



*LANC and Handycam are registered trademarks of Sony Corporation.



- T102B
- SP-6B
- T103B
- BR-6B
- FP-3B
- RT50B
- SP-2B
- RT50C
- FP-2B
- RT40RB
- RT30B
- BR-2B
- RC-70
- RC-80
- RC-50
- RC-30

HEAVY DUTY (100mm)



T102B 1STAGE **New**

Designed for heavy duty performance, which is ideal for studio production and for use with a jib arm. A stable camerawork is ensured thanks to the outstanding rigidity and robustness.

Pipe material	Aluminum
Weight	5.4kg / 11.9lb*1
Height	69 to 138.5cm / 27.0 to 54.5**2
Ball diameter	100mm
Section	1STAGE

Floor spreader for T102B / T103B SP-6B **New**

Weight	1.2kg / 2.6lb
--------	---------------



T103B **New**

Can reach as high as 174cm/68.5". The dual pipe structure provides high stability and robustness even when extended to the maximum length, which offers you smooth and steady camerawork.

Pipe material	Aluminum
Weight	6.5kg / 14.3lb*1
Height	62 to 174cm / 24.5 to 68.5**2
Ball diameter	100mm
Section	2STAGE

Mid-level spreader for T102B / T103B BR-6B **New**

Weight	0.3kg / 0.7lb
--------	---------------



Large rubber feet for T102B / T103B FP-3B **New**

Weight	0.7kg / 1.5lb
--------	---------------



ENG (100mm)



RT50B **New**

Outstanding stability and rigidity, while providing height and portability required by ENG tripods. Leg joints are equipped with grips for easy transportation.

Pipe material	Aluminum
Weight	3.1kg / 6.8lb*1
Height	47.5 to 158cm / 18.5 to 62.0**2
Ball diameter	100mm
Section	2STAGE

Floor spreader for RT50B / RT50C SP-2B

Weight	0.9kg / 2.0lb
--------	---------------



RT50C Carbon pipe **New**

Outstanding stability and rigidity, while providing height and portability required by ENG tripods. Leg joints are equipped with grips for easy transportation. Lightweight due to the use of carbon pipe.

Pipe material	Carbon
Weight	2.8kg / 6.2lb*1
Height	47.5 to 158cm / 18.5 to 62.0**2
Ball diameter	100mm
Section	2STAGE

Mid-level spreader for RT50B / RT50C BR-6B **New**

Weight	0.3kg / 0.7lb
--------	---------------



Large rubber feet for RT50B / RT50C FP-2B

Weight	0.4kg / 0.9lb
--------	---------------



*1 The weight is excluding spreader and rubber feet.
*2 Measured with a floor spreader attached. The height will be different if a mid-level spreader and large rubber feet are attached.
* Spreaders are sold separately

*1 The weight is excluding spreader and rubber feet.
*2 Measured with a floor spreader attached. The height will be different if a mid-level spreader and large rubber feet are attached.
* Spreaders are sold separately

(75mm)



RT40RB

The RT40RB is designed similar to the 100mm ball tripod RT50B, which features remarkable stability and rigidity while providing height and portability required by ENG tripods.

Pipe material	Aluminum
Weight	3.1kg / 6.8lb*1
Height	47.5 to 157.5cm / 18.5 to 62.0**2
Ball diameter	75mm
Section	2STAGE

Floor spreader for RT30B / RT40RB SP-2B

Weight	0.9kg / 2.0lb
--------	---------------



RT30B

Lightweight design, yet ensures high stability and rigidity.

Pipe material	Aluminum
Weight	2.6kg / 5.7lb*1
Height	40.5 to 150.5cm / 16.0 to 59.5**2
Ball diameter	75mm
Section	2STAGE

Mid-level spreader for RT40RB BR-6B New

Weight	0.3kg / 0.7lb
--------	---------------



Mid-level spreader for RT30B BR-2B

Weight	0.2kg / 0.4lb
--------	---------------



Large rubber feet for RT30B / RT40RB FP-2B

Weight	0.4kg / 0.9lb
--------	---------------



*1 The weight is excluding spreader and rubber feet.
*2 Measured with a floor spreader attached. The height will be different if a mid-level spreader and large rubber feet are attached.
* Spreaders are sold separately

The all-round tripod case for easy transportation

The case is equipped with two wheels and can be pulled along by the side handle grip, which allows easy transportation on foot. Damages are prevented by the soft and hard protectors on all sides of the case which absorb impacts, while the inner strap holds the tripod firmly in place. This all-round tripod case is designed with high rigidity and can be safely transported as a check-in luggage during flight.

Can be used by other manufacturer's tripod

All-round tripod case RC-70 New

Internal dimension	93cm / 36.5"
--------------------	--------------



All-round tripod case RC-80 New

Internal dimension	107cm / 42.0"
--------------------	---------------



Caster



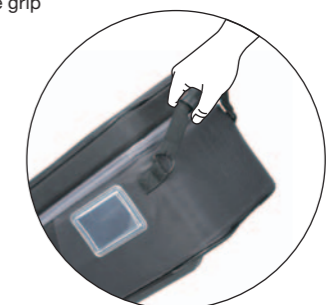
Handle grip



Inner pocket with zipper



Inner strap



Side handle

Tripod cases

Tripod case for ENG RC-50

The RC-50 is a stylish tripod case, designed for quick and easy storage of your tripod, with its high durability and lightweight portability

- Designed with end-to-end wide openings, providing quick and easy access to your tripod
- Surfaces are fully equipped with solid padding to provide shock protections during transportation
- Made of water resistant PU coated polyester equipped with a heavy-duty zip fastener
- The bottom protector absorbs external impacts during transportation
- Designed for a comfortable use, the main handle is plastic-gripped, a tough side-handle is attached, and also comes with padded shoulder strap
- Equipped with an inner pocket to store accessories such as a pan handle



Protector Inner pocket with zipper Handle grip



Padded shoulder strap Side handle



Tripod case for RT30B RC-30

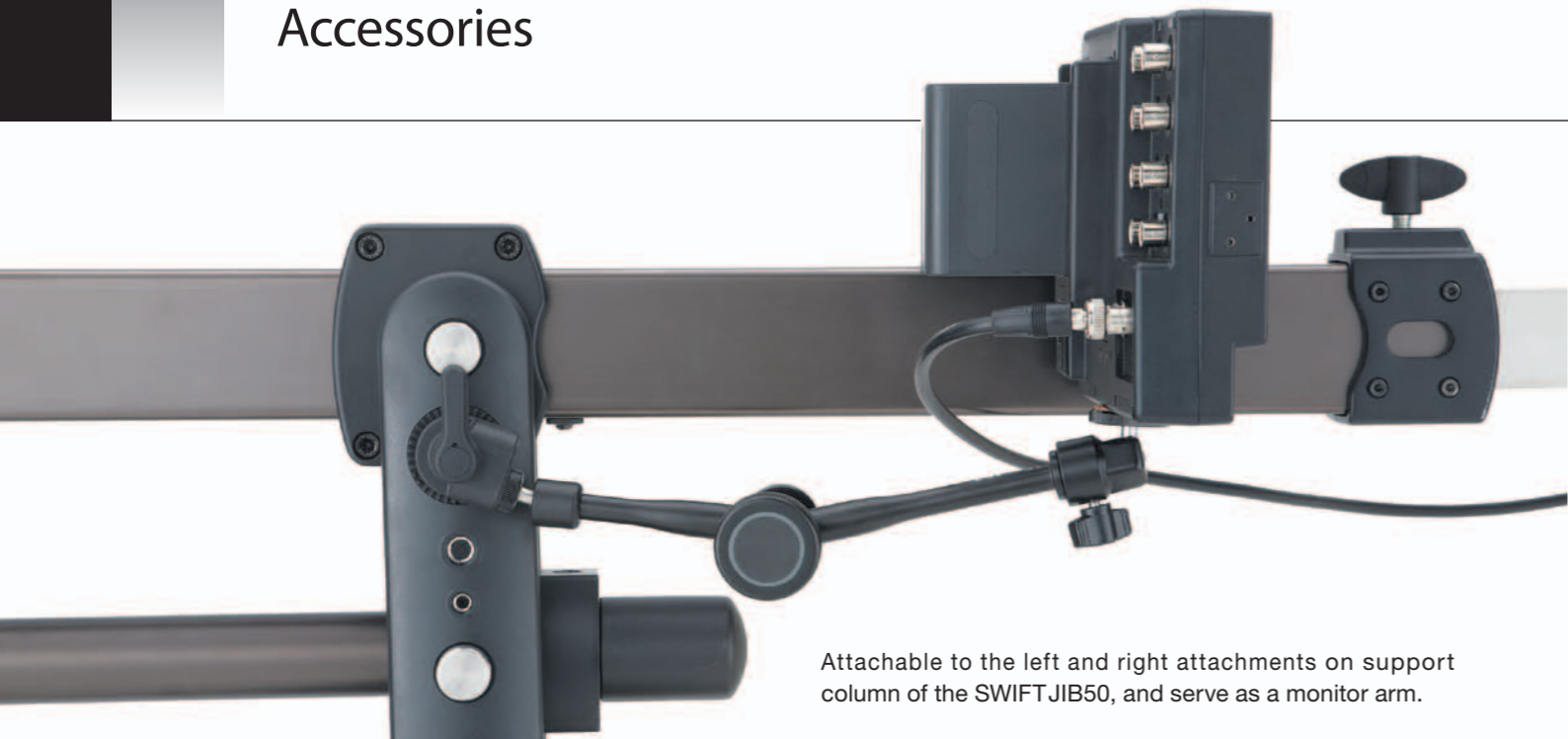
RC-30 enables easy and smooth taking in and out your tripod. Opens wide and flat for use as a floor mat on which to place equipment and luggage at shooting site.



Accessories

AS-7K
AS-7
A-7
AP-1
AP-5
Sliding Plate L
DL-2
DL-3B
DL-5B
DL-8B
LA-110
PH-6B
PH-8B
AD-75





Attachable to the left and right attachments on support column of the SWIFT JIB50, and serve as a monitor arm.

Accessory support kit AS-7K (A-7 included)

A multiple accessory support that supports mounting of LCD monitors and other accessories.

Length	261mm / 10.3"
Attachment	1/4" screw
Weight	0.35kg / 0.8lb



Accessory support adapter A-7

Can be attached to Libec heads and SWIFTJIB*. Accessories can be fitted by using 1/4" and 3/8" screw holes.



Can be attached to cameras and accessory plates and also Libec heads by using accessory support adapter included in the kit*. Fitting angle can be adjusted flexibly that enables suitable positioning of accessories.



*Not attachable to TH-650DV

Adapter plate AP-1



Made of magnesium material, it's rigid with a light weight of only 200g/0.4lb. The AP-1 helps you to instantly attach a small hand-held camera to a tripod adapter. As in the case of using shoulder cameras, it is possible to remove and set a camera again and again with the tripod adapter left on the head, so you can shoot right away with the appropriate counterbalance.

Weight	0.2kg / 0.4lb
--------	---------------

This product can be mounted on the following tripod adapters :

SONY	VCT-14, VCT-U14
Panasonic	SHAN-TM700
Ikegami	T-200V, T-201V
JVC	KA-511U(T)

Makers and models other than those listed above may not be compatible with this product .



Adapter plate AP-5



The AP-5 includes a camera platform and sliding plate. Using the 1/4" and 3/8" screw holes on its base, you can mount the platform on various camera support equipment. In addition, the side surface of the platform has 1/4" and 3/8" screw holes for attaching accessories. 1/4" and 3/8" spare screws are included and stored in the platform.

Weight	0.4kg / 1.0lb
Sliding range	80mm / 3.1"



Long sliding plate for RHP75 / RHP85 / LX10 Sliding Plate L New

Weight	0.2kg / 0.4lb
--------	---------------



Accessories

Dolly for TH-650DV / TH-950DV
DL-2

Weight 1.9kg / 4.2lb



Standard dolly for RT30B / RT40RB / RT50B / RT50C
DL-3B New

Weight 3.6kg / 7.9lb



Versatile length dolly for RT30B / RT40RB / RT50B / RT50C
DL-5B New

Weight 3.7kg / 8.1lb
Sliding range 18.5cm / 7.3"



Dolly for T102B / T103B
DL-8B New

Weight 5.9kg / 13.0lb



Low angle adapter for DL-8B
LA-110



Extendable pan handle for RH25R, RH35R and RH45R
PH-6B New



Extendable pan handle for LX10, RHP75 and RHP85
PH-8B New



75mm adapter
AD-75

Adapter of Libec 75mm heads for 100mm ball diameter tripods.



Specifications

DV

Model	—	Payload	Counterbalance mode	Drag mode	Weight	Height	Ball diameter	Section
TH-650DV	—	3kg / 6.5lb	FIX	FIX	3.2kg / 7.0lb	70 to 150cm / 27.5 to 59.0"	65mm	2STAGE
TH-950DV	—	4kg / 9.0lb	Off + 3position	FIX	3.7kg / 8.1lb	75 to 155cm / 29.5 to 61.0"	75mm	2STAGE

LX

Model	—	Head	Tripod	Spreader	Case	Dolly	Others	—	Payload	Counterbalance mode	Drag mode	Weight	Height	Ball diameter	Section
LX5	—	LX5 Head	RT30B	SP-2B	TC-70	—	—	—	4kg / 9.0lb	FIX	FIX	5.5kg / 12.1lb	56 to 166cm / 22.0 to 65.5"	75mm	2STAGE
LX5 M	—	LX5 Head	RT30B	BR-2B/FP-2B	TC-70	—	—	—	4kg / 9.0lb	FIX	FIX	5.2kg / 11.4lb	81 to 165.5cm / 32.0 to 65.0"	75mm	2STAGE
LX7	—	LX7 Head	RT30B	SP-2B	TC-70	—	—	—	8kg / 17.5lb	FIX	FIX	5.5kg / 12.1lb	56 to 166cm / 22.0 to 65.5"	75mm	2STAGE
LX7 M	—	LX7 Head	RT30B	BR-2B/FP-2B	TC-70	—	—	—	8kg / 17.5lb	FIX	FIX	5.2kg / 11.4lb	81 to 165.5cm / 32.0 to 65.0"	75mm	2STAGE
LX10	—	LX10 Head	RT50B	SP-2B	RC-50	—	—	—	16kg / 35.0lb	FIX	2STEP	7.6kg / 16.7lb	63 to 173.5cm / 25.0 to 68.5"	100mm	2STAGE
LX10 M	—	LX10 Head	RT50B	BR-6B/FP-2B	RC-50	—	—	—	16kg / 35.0lb	FIX	2STEP	7.4kg / 16.3lb	83 to 171.5cm / 32.5 to 67.5"	100mm	2STAGE
LX10 Studio	—	LX10 Head	RT50B	—	—	DL-3B	PH-8B(Extra)	—	16kg / 35.0lb	FIX	2STEP	10.6kg / 23.3lb	91.5 to 187cm / 36.0 to 73.5"	100mm	2STAGE

RS

Model	—	Head	Tripod	Spreader	Case	—	—	Counterbalance range	Payload	Counterbalance mode	Drag mode	Weight	Height	Ball diameter	Section
RS-250R	—	RH25R	RT30B	SP-2B	RC-30	—	—	1.8 to 5kg / 4.0 to 11.0lb	6kg / 13.0lb	Continuous	2STEP	6kg / 13.2lb	55 to 165cm / 21.5 to 65.0"	75mm	2STAGE
RS-250RM	—	RH25R	RT30B	BR-2B/FP-2B	RC-30	—	—	1.8 to 5kg / 4.0 to 11.0lb	6kg / 13.0lb	Continuous	2STEP	5.7kg / 12.5lb	80 to 164.5cm / 31.5 to 65.0"	75mm	2STAGE
RS-350R	—	RH35R	RT30B	SP-2B	RC-30	—	—	3 to 7.5kg / 6.5 to 16.5lb	9kg / 20lb	Continuous	Free plus 3STEP	6.2kg / 13.6lb	56 to 166cm / 22.0 to 65.5"	75mm	2STAGE
RS-350RM	—	RH35R	RT30B	BR-2B/FP-2B	RC-30	—	—	3 to 7.5kg / 6.5 to 16.5lb	9kg / 20lb	Continuous	Free plus 3STEP	5.9kg / 13.0lb	81 to 165.5cm / 32.0 to 65.0"	75mm	2STAGE
RS-450R	—	RH45R	RT40RB	SP-2B	RC-50	—	—	4.5 to 10.5kg / 10.0 to 23.0lb	12kg / 26.5lb	Continuous	Free plus 3STEP	6.7kg / 14.7lb	63 to 173cm / 25.0 to 68.0"	75mm	2STAGE
RS-450RM	—	RH45R	RT40RB	BR-6B/FP-2B	RC-50	—	—	4.5 to 10.5kg / 10.0 to 23.0lb	12kg / 26.5lb	Continuous	Free plus 3STEP	6.5kg / 14.3lb	82.5 to 171cm / 32.5 to 67.5"	75mm	2STAGE

RS PLUS

Model	—	Head	Tripod	Spreader	Case	—	Others	Counterbalance range	Payload	Counterbalance mode	Drag mode	Weight	Height	Ball diameter	Section
RSP-750	—	RHP75	RT50B	SP-2B	RC-70	—	—	5.5 to 14kg / 12.0 to 31.0lb	17kg / 37.5lb	Continuous	7STEP	7.8kg / 17.2lb	65 to 175.5cm / 25.5 to 69.0"	100mm	2STAGE
RSP-750M	—	RHP75	RT50B	BR-6B/FP-2B	RC-70	—	—	5.5 to 14kg / 12.0 to 31.0lb	17kg / 37.5lb	Continuous	7STEP	7.6kg / 16.7lb	85 to 173.5cm / 33.5 to 68.5"	100mm	2STAGE
RSP-750C	—	RHP75	RT50C	SP-2B	RC-70	—	—	5.5 to 14kg / 12.0 to 31.0lb	17kg / 37.5lb	Continuous	7STEP	7.5kg / 16.5lb	65 to 175.5cm / 25.5 to 69.0"	100mm	2STAGE
RSP-750MC	—	RHP75	RT50C	BR-6B/FP-2B	RC-70	—	—	5.5 to 14kg / 12.0 to 31.0lb	17kg / 37.5lb	Continuous	7STEP	7.3kg / 16.1lb	85 to 173.5cm / 33.5 to 68.5"	100mm	2STAGE
RSP-850	—	RHP85	T103B	SP-6B	RC-80	—	Sliding Plate L	9 to 20kg / 20.0 to 44.0lb	25kg / 55.0lb	Continuous	7STEP	11.6kg / 25.5lb	79.5 to 191.5cm / 31.5 to 75.5"	100mm	2STAGE
RSP-850M	—	RHP85	T103B	BR-6B/FP-3B	RC-80	—	Sliding Plate L	9 to 20kg / 20.0 to 44.0lb	25kg / 55.0lb	Continuous	7STEP	11.4kg / 25.1lb	95.5 to 189.5cm / 37.5 to 74.5"	100mm	2STAGE

Pedestal Systems

Model	Pedestal	Head	—	—	—	Dolly	Others	Counterbalance range	Payload	Counterbalance mode	Drag mode	Weight	Height	Ball diameter	Column section
RSP-750PD(B)	P110B	RHP75	—	—	—	DL-8B	PH-8B(Extra)	5.5 to 14kg / 12.0 to 31.0lb	17kg / 37.5lb	Continuous	7STEP	19.2kg / 42.2lb	100 to 175cm / 39.5 to 69.0"	100mm	2STAGE
RSP-750PD(S)	P110S	RHP75	—	—	—	DL-10B	PH-8B(Extra)	5.5 to 14kg / 12.0 to 31.0lb	17kg / 37.5lb	Continuous	7STEP	22.7kg / 49.9lb	98.5 to 173.5cm / 39.0 to 68.5"	100mm	2STAGE
RSP-850PD(B)	P110B	RHP85	—	—	—	DL-8B	PH-8B(Extra) / Sliding Plate L	9 to 20kg / 20.0 to 44.0lb	25kg / 55.0lb	Continuous	7STEP	19.3kg / 42.5lb	100 to 175cm / 39.5 to 69.0"	100mm	2STAGE
RSP-850PD(S)	P110S	RHP85	—	—	—	DL-10B	PH-8B(Extra) / Sliding Plate L	9 to 20kg / 20.0 to 44.0lb	25kg / 55.0lb	Continuous	7STEP	22.8kg / 50.2lb	98.5 to 173.5cm / 39.0 to 68.5"	100mm	2STAGE

List of cameras tested with ZFC-5HD zoom and focus control

	Model	Terminal	Power	Zoom	Focus
SONY	HVR-A1	LANC	✓	✓	✓
	HVR-V1	LANC	✓	✓	✓
	HVR-Z5	LANC	✓	✓	✓
	HVR-Z7	LANC	✓	✓	NA
	HVR-HD1000	LANC	✓	✓	✓
	HVR-MC2000	REMOTE	✓	✓	✓
	HXR-NX5	REMOTE	✓	✓	✓
	HXR-NX70	REMOTE	✓	✓	✓
	HDR-FX1000	LANC	✓	✓	✓
	HDR-AX2000	REMOTE	✓	✓	✓
	HVR-S270	LANC	✓	✓	NA
	HXR-NX3D1	AV REMOTE	✓	✓	✓
	NEX-FS100K	REMOTE	✓	NA	✓※3
	NEX-FS700K	REMOTE	✓	NA	✓※3
Panasonic	AG-HMC40	—	—	✓	✓※1
	AG-HMC150	—	—	✓	✓※1 ※2
	AG-AC130	—	—	✓	✓※1 ※2
	AG-AC160	—	—	✓	✓※1 ※2
	AG-AF100	—	—	NA	✓※1 ※2 ※4
	AG-3DA1	—	—	✓	✓
	AG-HVX200A	—	—	✓	✓※1
	AG-HPX170	—	—	✓	✓※1
	AG-HPX250	—	—	✓	✓※1 ※2
Canon	XH G1S/A1S	LANC	✓	✓	✓
	XL H1S	LANC	✓	✓	✓
	XA10	REMOTE	✓	✓	✓
	XF105	REMOTE	✓	✓	✓
	XF305	REMOTE	✓	✓	✓

※1 : When the 3.5mm plug is connected to focus/iris terminal on Panasonic cameras, only the remote control manual mode is available, regardless of the camera's auto/manual mode.

※2 : As for some of the Panasonic cameras released after August 2009, connecting the 3.5mm plug to focus/iris terminal makes the function fixed to auto iris mode, and disables the manual mode.

※3 : Tested by the standard kit lens.

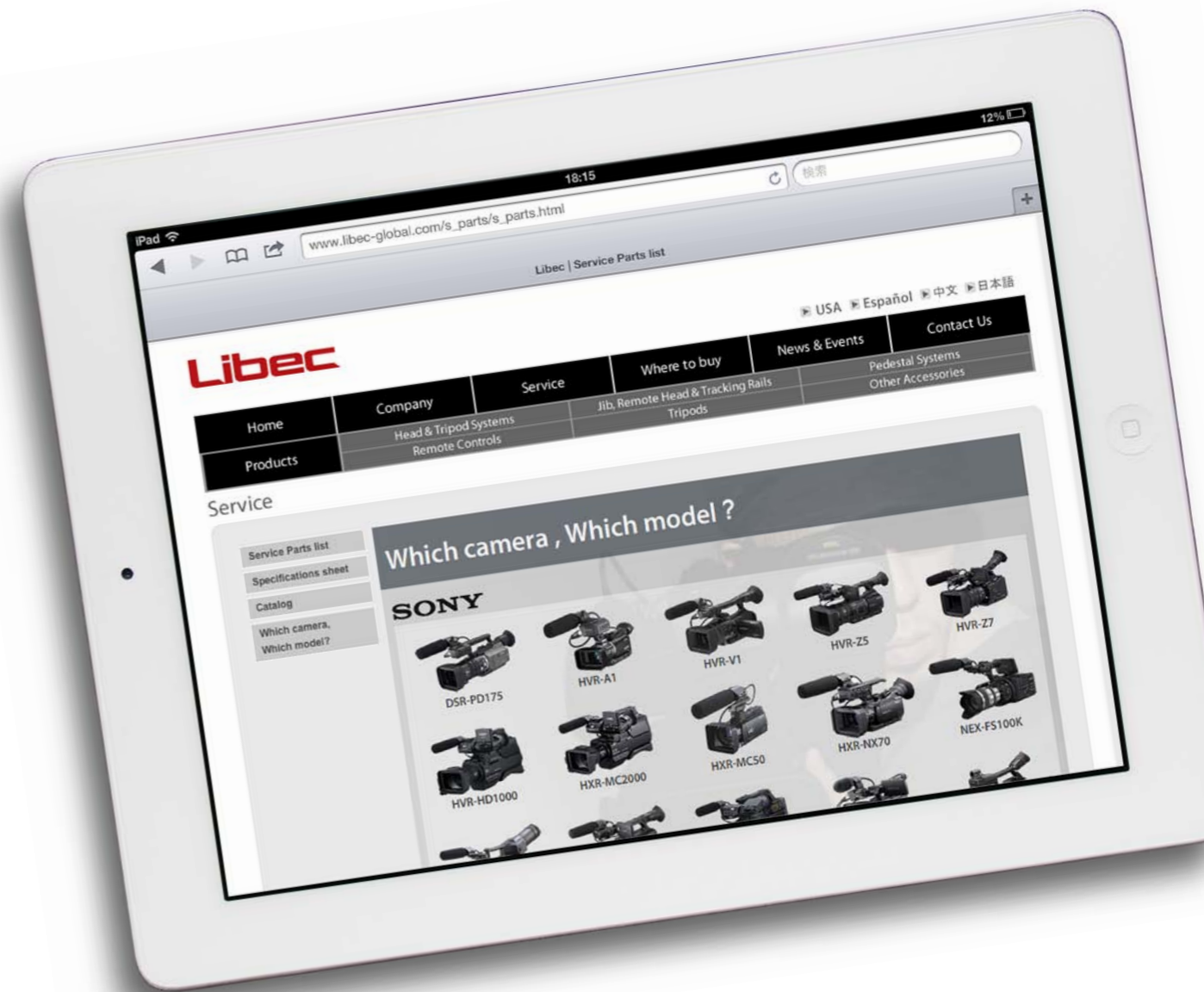
※4 : Operable by micro four thirds lenses.

List of models storable in the RC-70 tripod case

	Model	Transport length	
Vinten	V10AS-AP2F	86.6cm / 34.1"	✓
	V10AS-CP2F	86.6cm / 34.1"	✓
	V100-AP2	85.9cm / 33.8"	✓
	V100-CP2	85.9cm / 33.8"	✓
Sachtler	SYSTEM18 S1 ENG 2	89cm / 35"	✓
	SYSTEM18 S1 ENG 2 CF	89cm / 35"	✓
	SYSTEM20 S1 HD CF	94cm / 37"	✓※
	SYSTEM20 S1 HD MCF	94cm / 37"	✓※
	SYSTEM20 S1 SL HD MCF	94cm / 37"	✓※

※ : Storable in the RC-70 tripod case, however space may be tight as the tripod system's size is 1cm/0.4" longer than the internal length of RC-70.

THE NEW LIBEC WEBSITE



For detailed information on Libec products including Operation manuals, Specification sheets, and Service parts lists, please visit our website. Various video contents including fascinating product promotion and tutorials videos on how to replace service parts are available on the "LTV" section. In the "Which camera, Which model?" section, you can easily check before purchasing which Libec tripod system is optimum for each latest camera model.

www.libecsales.com
www.libec-global.com